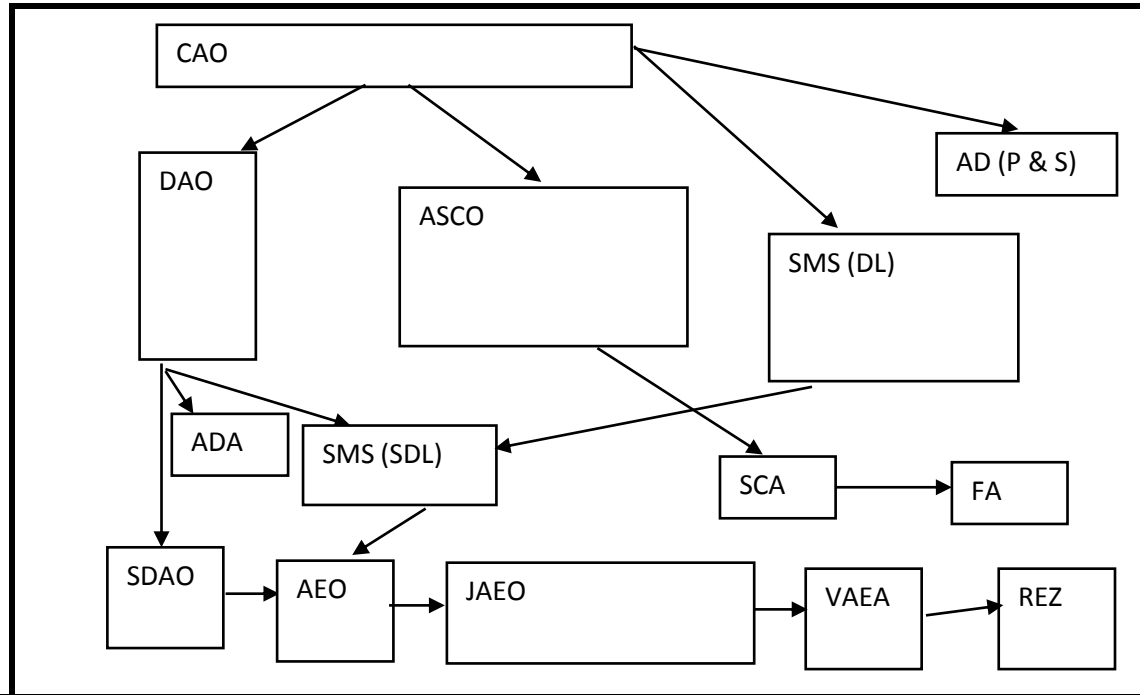


S No	Question	Reply
1	<b>Name of organization</b>	<b>Agriculture</b>
	<b>Functions and duties</b>	Extension activities regarding transfer of Agro based technology to Farming community Implementation of District plan schemes/CSS involving participation of/for farming community
2 (A)	<b>Powers and duties of its Officers and employees</b>	
	<b>Chief Agriculture Officer</b>	Sector Head/Administration/Monitoring Authority
	<b>District Agriculture Officer</b>	Administration/DDO/Executive/Monitoring at District level of execution functionaries.
	<b>Assistant Soil Conservation Officer</b>	Looking/Monitoring of soil and water management based in the District Reasi.
	<b>Sub Division Agriculture Officer</b>	Administration/DDO/at Sub division level
	<b>Subject Matter Specialist (SDL)</b>	Executive/Monitoring and implementation of programme at Sub Division level

	<b>Agriculture Extension Officer</b>	Executive/Monitoring and implementation of programme at Zonal level comprising 5-7 zones.
	<b>Junior Agriculture Extension Officer</b>	Executive/Monitoring and implementation of programme Comprising of 3-8 circles at circle level comprising of 1-3 Panchayat
	<b>Village Agriculture Extension Assistant</b>	Assisting is JAEO Executive/Monitoring and implementation of programme Comprising of 3-8 circles at Panchayat level comprising of 3-5 villages
	<b>Rehbre-i-Ziraat</b>	Executive/Monitoring and implementation of programme on Stipend Basis Assisting VAEA at Panchayat level and are on stipend basis
<b>B</b>	<b>Apiculture Development Assistant</b>	Katra and Sarh centre for boosting the activity of Apiculture, encouraging entrepreneurship and departmental demonstration centre for honey production.

C	<b>Farm Manager</b>	Two post of Farm Manager for Multiplication of Cereal/Fodder seed varieties at SM Farm Granwalla, Suketar and Channa
D	<b>I/C Soil Testing Laboratory</b>	One static Laboratory at Reasi for collection of soil samples for evaluation the nutrient content of soils. One mobile van for collecting/evaluation of soil samples site.
E	<b>I/C Mushroom Demonstration Centre:-</b>	One Mushroom Demonstration Cum Training Centre at SM Farm Granwalla for propagation of mushroom cultivation in the District
F	<b>Soil Conservation Assistant:</b>	Execution of soil and water management Conservation work at Block Level

3 Procedure followed in decision making



4 District Plan schemes/CSS/ATM A

1. RKVY
2. NVIUC
3. NMSA
4. NFSM
5. NMOOP
  
6. ATMA
7. NEGPA
8. SMAM
9. Seed Village
10. District Plan
11. SCA to TSP
12. Organic farming/INM
13. MIDH

Beneficiary lists enclosed as Annexures (2014-15)

5	Directory of officers and its employees	Annexure 1		
6	Seed, Pest and Fertilizer Dealers	<p>Fee for Seed License Rs. 50, Pesticide License Rs. 60 and Fertilizer License Rs. 1250 to be deposited under head 0401 Crop Husbandry</p> <p><b>Eligibility:</b> Matric Pass</p> <p><b>Dealer Lists Enclosed as Annexure 'A' , 'B' , 'C'</b></p>		
	PIOs and APIOs	S No	Name	Designation
		1	Mohd. Iqbal Chowdhary	Public Information Officer
		2	Vinod Dhar	Assistant Public Information Officer

## **OFFICE OF THE CHIEF AGRICULTURE OFFICER REASI**

### **List of Seed Dealers in respect of Reasi District**

### **Annexue "A"**

<b>S No</b>	<b>Name of the licence holders/parentage</b>	<b>Resident of</b>	<b>Location of sale outlet</b>	<b>Sub Division/ Zone</b>	<b>Date of issue</b>	<b>Valid upto</b>	<b>Licence No./Reference</b>
1	Deep Raj S/o Sh. Rakhi Ram	Kullar	Puraya	Reasi/Pouni	21/04/2010	20/04/2013	1/Seeds/2010
2	Madan Lal S/o Sh. Amar Nath	Reasi	Near Post office Reasi	Reasi/Reasi	31/08/2010	31/08/2013	02/Seeds/2010
3	S.S. Bali S/o Late Amar Nath Bali	Reasi	Sarasati Nagar Reasi	Reasi/Reasi	31/08/2010	31/08/2013	03/Seeds/2010
4	Vishal Baru S/o Ramesh Chander Baru	Reasi	Main Bazar Reasi	Reasi/Reasi	14/12/2010	14/12/2013	04/Seeds/2010
5	Hari Krishan S/o Sh. Prem Nath	Nomain	Kotli Bajalian	Reasi/Reasi	06.03.2015	06.02.2018	01/Seeds/2012
6	Shiban S/o Sh. Gopi Chand	Geeta Nagar Gran	Geeta Nagar Gran	Reasi/Reasi	13/03/2012	12/3/2015	03/Seeda/2012
7	Bharat Singh S/o Sh. Lal Singh	Sujandhar	Sujandhar	Reasi/Dangakote	31/03/2012	30/03/2015	04/Seeda/2012
8	Ram Saran S/o Sh. Dhani Ram	Harotkote	Harotkote	Reasi/Dangakote	31/03/2012	30/03/2015	05/Seeda/2012
9	Meetu Sharma W/o Sh. Ram Pal Sharma	Sarna, Pyt. Latori	Sarna, Pyt. Latori	Reasi/Reasi	14/06/2012	13/06/2015	06/Seeds/2012
10	Khem Raj S/o Sh. Isher Dass	Karua	Karua	Reasi/Reasi	3/10/2012	2/10/2015	07/Seeds/2012
11	Gopal Chand S/o Sh. Gian chand	Bhangal	Bhangal, Aghar Jitto	Reasi/Reasi	3/10/2012	2/10/2015	08/Seeds/2012
12	Yogita Sharma W/o Sh. Pankaj Sharma	Nomain	Nomain	Reasi/Reasi	29/12/2012	28/12/2015	09/Seeds/2012
13	Satvir Singh S/o Sh. Amar Chand	Bhangal	Bhangal	Reasi/Reasi	29/12/2012	28/12/2015	10/Seeds/2012
14	Bal Krishan S/o Sh Punjab Singh	Sungri	Sungri	Dharmari/Chassana	11/1/2013	10/1/2016	11/Seeds/2013
15	Prith Pal Singh S/o Sh. Baljeet Singh	Chassana	Chassana	Dharmari/Chassana	11/1/2013	10/1/2016	12/Seeds/2013
16	Manzoor Ahmed S/o Sh. Abdullah	Kunderdan	Kunderdan	Dharmari/Chassana	11/1/2013	10/1/2016	13/Seeds/2013
17	Navir Ahmed S/o Bashir Ahmed	Gulabpura	Gulabpura	Dharmari/Chassana	28/01/2012	27/01/2016	14/Seeds/2013
18	Mohan Singh S/o Mohinder singh	Lehar	Pouni	Reasi/Pouni	16/03/2013	15/03/2016	15/Seeds/2013
19	Bhola Ram S/o Tula Ram	Pouni	Pouni	Reasi/Pouni	4/6/2013	3/6/2016	1/Seeds/2013

## **OFFICE OF THE CHIEF AGRICULTURE OFFICER REASI**

### **List of Pesticide dealer of (Tentatively ) of Reasi-District. Annexure "B"**

S.No	1	2	3	4	5
	Name of the licence holders/parentage	Resident of	Block	Valid upto	
1	M/S Gh. Mohi-din-Malik s/o Haji Dilawar Tehsil Mahore District Reasi	Teh.- Mahore Distt.-Reasi	Mahore	31.12.2013	90
2	Mohd. Bashir S/o Samal Din, Jamlan Tehsil Mahore District	Jamlan The. Mahore District Reasi	Mahore	31.12.2013	98
3	M/S Gandotra Enterprises, Main Bazar Reasi	Main Bazar Reasi	Reasi	31.12.2013	1
4	M/Smohd Amin S/O Abdul Rehamn R/O Hamasan Chasana District -Reasi	Hamasan Chasana District Reasi	Mahroe	31.12.2013	2
5	M/S Shiban s/o Late Sh. Gopi Chand R/O Geeta Nagar District-Reasi	Geeta Nagar District Reasi	Reasi	31.12.2013	3
6	M/S Paramjit Singh s/o Sh. Joginder Singh R/O Kheralair Tehsil and District Reasi	Kheralair Tehsil and District Reasi	Pouni	31.12.2013	4
7	M/S Meetu Sharma S/O Sh. Raman Paul Sharma R/O Sarna	Sarna Panchayat Latori Tehsil and District	Reasi	31.12.2013	5
8	M/S Sher Mohd S/o Mali	Channa (Sungri) Tehsil Mahore District Reasi	Mahore	31.12.2015	7

## **OFFICE OF THE CHIEF AGRICULTURE OFFICER REASI**

### **List of Fertilizer dealers of Reasi-District. Annexure "C"**

	<b>District</b>	<b>Block</b>	<b>Dealer Name</b>	<b>Address</b>	<b>Place</b>	<b>Website</b>	<b>Telephone</b>	<b>Mobile</b>	<b>Products</b>	<b>License valid upto</b>
1	REASI	MAHORE	Mohd Ayub		Jamslan			0	Fertilizer	31/05/2014
2	REASI	MAHORE	Shah Nawaz Ahmed		Bathoi			0	Fertilizer	10/4/2015
3	REASI	MAHORE	Hassan Din		Mahore			0	Fertilizer	10/4/2015
4	REASI	MAHORE	Mohd Amin		Mahore			9797368494	Fertilizer	19/04/2015
5	REASI	MAHORE	Abdul Aziz		Mahore			9858154700	Fertilizer	7/6/2015
6	REASI	MAHORE	Mohd Abdulla		Mahore			9697539070	Fertilizer	7/6/2015
7	REASI	MAHORE	Mehraj-ul-Din		Mahore			9622332595	Fertilizer	30/03/2015
8	REASI	MAHORE	Miss Saqeema		Mahore			0	Fertilizer	18/05/2014
9	REASI	MAHORE	Kulbushan Singh		Chasana			9797401558	Fertilizer	18/01/2015
10	REASI	MAHORE	Sher Mohd		Mahore			9797608093	Fertilizer	18/01/2015
11	REASI	MAHORE	Naseem Mohd		Mahore			9797329492	Fertilizer	20/12/2014
12	REASI	MAHORE	Zaffar Din Malik		Mahore			9858551235	Fertilizer	20/12/2014
13	REASI	MAHORE	Chain Singh		Mahore			9858545915	Fertilizer	6/4/2015
14	REASI	MAHORE	Mohd Tariq		Channa			9622053984	Fertilizer	16/06/2016
15	REASI	MAHORE	Mohd Sharif		Chasana			9419122128	Fertilizer	13/06/2016
16	REASI	MAHORE	Abdul Hamid		Sarh			9858153660	Fertilizer	10/6/2016
17	REASI	MAHORE	Rikhi Ram		Molas			9419902021	Fertilizer	10/6/2016
18	REASI	MAHORE	Noor Hussain		Mahore			9858153383	Fertilizer	27/05/2016
19	REASI	MAHORE	Shamash Din Khan		Jamslan			9419981397	Fertilizer	13/05/2016
20	REASI	MAHORE	Manjoor Ahmed		Kunderdan			8803590161	Fertilizer	11/4/2016
21	REASI	MAHORE	Nazir Ahmed		Budder			0	Fertilizer	11/4/2016
22	REASI	MAHORE	Salim Ahktar		Jamslan			7298242221	Fertilizer	16/05/2017
23	REASI	MAHORE	Mohd Rafiq		Chandyal Kote (Chassana)			0	Fertilizer	16/05/2017
24	REASI	MAHORE	Sher Mohd		Sungri (Chana)			9419235845	Fertilizer	8/5/2017
25	REASI	MAHORE	Muneer Ahmed		Jamslan			9697359503	Fertilizer	8/5/2017
26	REASI	MAHORE	Mohd Iqbal		Theral			8803563419	Fertilizer	5/5/2017
27	REASI	POUNI	Sh. Deep Raj		Puriya Kullar			9797339698	Fertilizer	19/06/2016
28	REASI	POUNI	Sh Sanjay Kumar		Gajore			9797390209	Fertilizer	7/1/2018
29	REASI	POUNI	Paramjeet Singh		Pouni			9797390311	Fertilizer	5/3/2015
30	REASI	POUNI	Ravi Kumar		Pouni			9797356017	Fertilizer	4/5/2015
31	REASI	POUNI	Jagdish Raj		Jeri			9796457759	Fertilizer	25/06/2015



32	REASI	POUNI	Ashok Kumar		Bhambla			9419164000	Fertilizer	19/06/2016
33	REASI	POUNI	Ramesh Chander		Bharakh			9858623098	Fertilizer	19/06/2016
34	REASI	POUNI	Vijay Singh		Pora Kotla			9622347205	Fertilizer	19/06/2016
35	REASI	POUNI	Kamal Kishorre		Talwara			9797527396	Fertilizer	19/06/2016
36	REASI	POUNI	Om Parkash		Pouni			9419697897	Fertilizer	19/06/2016
37	REASI	POUNI	Lekh Raj		Talwara			9419164000	Fertilizer	2/11/2017
38	REASI	MAHORE	Naseem Mohd		Tuli			9797329442	Fertilizer	02.04.2018
39	REASI	MAHORE	Kulbushan Singh		Chassana			9796030223	Fertilizer	02.04.2018
40	REASI	REASI	Manager Jyt. Corp. Marketing Secretary Ltd.		Reasi			9419913503	Fertilizer	5.4.18
41	REASI	REASI	Smt. Dolly Wazir		Reasi			9419987503	Fertilizer	5.4.18
42	REASI	REASI	Chain Singh		Buddhan			9596901828	Fertilizer	14.4.18
43	REASI	REASI	Hari Krishan		Reasi			9858273774	Fertilizer	3/1/2015
44	REASI	REASI	Brij Mohan Sharma		Aghar Ballian			8803197563	Fertilizer	14/11/2014
45	REASI	REASI	Sh Gandirb Chand		Reasi			199129102	Fertilizer	24/11/2014
46	REASI	REASI	Avtar Singh		Kotli Lajpat			9622050883	Fertilizer	30/03/2015
47	REASI	REASI	Mohd Shafqat Ali		Bhabbar			9596902310	Fertilizer	20/06/2015
48	REASI	REASI	Gopal Chand		Reasi			9018069507	Fertilizer	2/10/2015
49	REASI	REASI	Dinesh Kumar Sharma		Reasi			9622298313	Fertilizer	22/04/2015
50	REASI	REASI	Harvinder Singh		Vijaypur			8717056313	Fertilizer	28/08/2015
51	REASI	REASI	Khem Raj		Reasi			9419907899	Fertilizer	2/10/2015
52	REASI	REASI	Smt.Rakhi Devi		Aghar Jitto			9906233240	Fertilizer	20/08/2017
53	REASI	REASI	Smt Dolly Wazir		Nai Basti,W.No. 02,Reasi			9419913503	Fertilizer	19/04/2015
54	REASI	REASI	Jyotipuram Co-operative Society		Reasi			9419913503	Fertilizer	19/04/2015
55	REASI	REASI	Mohd Yousaf		Taleen(Chak bhagta)			9419236032	Fertilizer	8/5/2017
56	REASI	REASI	Amar Chand		Aghar Jitto			9906256054	Fertilizer	19/10/2017
57										
58	REASI	ARNAS	MPCS Arnas through Sh. Mahinder Kumar Saleman Arnas		Arnas			9906099268	Fertilizer	9/6/2017

# OFFICE OF THE CHIEF AGRICULTURE OFFICER - REASI

## Directory of officers/officials in respect of Agriculture Department District Reasi

### Annexure "1"

S.No		Incumbant (Officer/Official)	Designation	Mobile No
1	<b>CAO Staff</b>	<b>Mohd Iqbal Choudhary</b>	<b>CAO</b>	<b>9622134402</b>
2		P.L.Bhat	DAO Reasi	9419126095
3		Vinod Dhar	SMS (DL)	9419187071
4		Nikhil Sharma	Sts Asstt	9906002963
5		K.L.Solan	Sr.Asstt	9906004621
6		Rajni Magotra	Jr. Asst	9906024409
7		Madan Lal	Orderly	9622187842
8	<b>DAO Ext Dharmari Staff</b>	Mohd Sharief,orderly	Class iv	9622169118
9	<b>ASCO Dharmari Staff</b>	G.S.Bali	ASCO	9906124818
10		1 -Sanjay Anand	SCA	9419102609
11		2. Aftab Ahmed	SCA	9419156794
12		3. Ashok Malhotra	SCA	
13		1. Bashir Ahmed	Fd/Asstt	9596682897
14		2.Govind Singh	Fd/Asstt	9797136826
15		3.Mohd Shafi	Fd/Asstt	9797681326
16		4. Nazir Ahmed	Fd/Asstt	9596898265
17		5. Sansar Chand	Fd/Asstt	9906299524
18		6. Ramesh Chander	Fd/Asstt	9419121573
19		1. Ghulam Ahmed	Fd/Asstt	9906297743
20		1. Ahmed Din	Orderly	9622392975
21	<b>SDAO Reasi Staff</b>	Vijay Kumar Bhagat	SDAO	9419194228
22		K.K.Kesar	AAI	9419256172
23		1. S.K.Bhat	AEO	9419144325
24		2. A K Dhar	AEO	9419130214
25		3. Ajit Kumar -	AEO	9906030777
26		4.R.C.Pandoh	AEO	9419156160
27		5. Mohan Lal	AEO	9419902014
28		1. Uttam Singh	JAEO	9906134494
29		2. Avtar Singh	JAEO	9796798666
30		4. Vikas Sharma	JAEO	9419244779
31		5 Shambu Nath (PPM)	JAEO	9796449304
32		6. Anita Devi	JAEO	8803211742
33		7. Randhir Singh	JAEO	9419142979
34		8. R C Thusoo	JAEO	9419190677
35		9. Dev Raj	JAEO	9419942219
36		14. Amrik Singh	JAEO	8803515190
37		15. R.K.Bakshi	JAEO	9419150942
38		19. S.K.Malla	JAEO	9419185979

S.No	Incumbant (Officer/Official)	Designation	Mobile No
39	20. Balwant Raj	JAEO	9419195342
40	22. Deepak Parkash	JAEO	9419156796
41	23. Kuldeep Koul	JAEO	9419131931
42	24. S.K.Suri	JAEO	9796486386
43	25. M.K.Pandoh	JAEO	9419249162
44	26Rashpal Chand	JAEO	9419965078
45	1. Roshan Lal	Sr. Asstt	9419696864
46	Bagh Hussain	Driver	9858263139
47	1. Mansa Ram	C.I	9697897870
48	2.Mohinder Singh	C.I	9906095529
49	1Parlabh Singh	GCO	9796818411
50	2 Manir Akhtar	GCO	9596836227
51	3. Mohd Yasin	GCO	9906392756
52	4. Mohd Hanif	GCO	7298583137
53	5. Ghulam Haider	GCO	9596935093
54	1. Badhar Ali	PPO	9596632782
55	<b>SDAO Dharmari Staff</b> 3. Anil Rawal	AEO	9419186405
56	4. Gopal Krishan	AEO	9419999752
57	5.S.N.Pandita	AEO	9419193498
58	6. M.P.Singh	AEO	9419288004
59	8. Shiv Dev Singh	JAEO	9419307134
60	9. Ravi Sharma	JAEO	985872488
61	10Krishan Lal	JAEO	9419287740
62	22. Kesar Durani	JAEO	9596017393
63	23. Dara Singh	JAEO	9596017393
64	1. Chirwa	Comp.Inspt.	8803622457
65	1. Bashir Ahmed	PPM	9596688297
66	1. Abdul Karim	Fd/Asstt.	7298380292
67	2. Bahaar Din	Fd/Asstt.	9622243034
68	1. Mohd Ayub	PPO	9419338007
69	1. Abdul Rashid,	A/O	8803226820
70	2. Abdul Gafoor	A/O	9596683216
71	1. Mir Hussain	GCO	9622372110
72	1. Abdul Rashid,Ordely	Class ivth	9596839320
73	2. Khalid Hussain	(Watchman)	9596839473
74	<b>Apiculture Staff Sarh</b> 1.Anil Kr. Koul	Api.Dev.Asstt	9858602607
75	1. Atta Mohd	Fd/Asstt	9419960548
76	<b>Apiculture Staff Katra</b> R.K.Sharma	Api.Dev.Asstt	9419221575
77	1. Sudesh Kumar	Fd/Asstt	9906128942
78	<b>Farm Staff Gran</b> 1.Panjaboo Devi	Mali	9596835901
79	2. Kamloo Devi	Mali	9906346861
80	<b>Farm Staff Channa</b> 1.Mohd Hussain	Mali	9469262612

Chief Agriculture Officer  
Reasi

**List of farmer who are benefitted under Pusa bold minikits durning Rabi.2014 in respect of Zone Matlote Sub Division Dharmari(2kg Each)**

S.No	Name of Farmer	Parentage	R/o	Area covered	Category	Block	Constituency	Date of Sowing
1	Dharam Singh	Som Dhat	Matlote	8 Kanal	G	Arnas	Gool Arnas	9/11/2014
2	Nazir Ahmed	Noor Mohd	Dharmari	8 Kanal	S.T	Arnas	Gool Arnas	15/11/2014
3	Abdul Karhiham	Mir Baz	Dharmari	8 Kanal	S.T	Arnas	Gool Arnas	10/11/2014
4	Nazir Ahmed	Mohd Hussain	Dharmari	8 Kanal	S.T	Arnas	Gool Arnas	15/11/2014
5	Mohd Yousaf	Roshan	Dharmari	8 Kanal	S.T	Arnas	Gool Arnas	9/11/2014
6	Abdul Haq	Isrial	Dharmari	8 Kanal	S.T	Arnas	Gool Arnas	8/11/2014
7	Bagh Hussain	Lal Din	Kenthi	8 Kanal	S.T	Arnas	Gool Arnas	16/11/2014
8	Mohd Yousaf	Mira Bakishi	Kenthi	8 Kanal	S.T	Arnas	Gool Arnas	17/11/2014
9	Zaffer	Laquit Ali	Thuroo	8 Kanal	S.T	Arnas	Gool Arnas	9/11/2014
10	Yousaf	Mir	Dharmari	8 Kanal	S.T	Arnas	Gool Arnas	10/11/2014
11	Babu Ram	Panjabu	Dharmari	8 Kanal	G	Arnas	Gool Arnas	11/11/2014
12	Mohd Shofi	Noor Mohd	Dharmari	8 Kanal	S.T	Arnas	Gool Arnas	9/11/2014
13	Gulam Hussain	Subha	Dharmari	8 Kanal	S.T	Arnas	Gool Arnas	10/11/2014
14	Ali Mohd	Noor Mohd	Dharmari	8 Kanal	S.T	Arnas	Gool Arnas	15/11/2014
15	Zaffer	Mohd Yousaf	Dharmari	8 Kanal	S.T	Arnas	Gool Arnas	9/11/2014
16	Koek Hussain	Abdulla	Dharmari	8 Kanal	S.T	Arnas	Gool Arnas	10/11/2014
17	Dharam Singh	Sadhu	Matlote	8 Kanal	G	Arnas	Gool Arnas	9/11/2014
18	Bal Raj Singh	Chirwah	Matlote	8 Kanal	G	Arnas	Gool Arnas	10/11/2014
19	Sukhdev Singh	Raji Ram	Matlote	8 Kanal	G	Arnas	Gool Arnas	11/11/2014
20	Krishan Singh	Dharam Singh	Matlote	8 Kanal	G	Arnas	Gool Arnas	15/11/2014
21	Mohd Hussain	M.Freed	Judda	8 Kanal	G	Arnas	Gool Arnas	16/11/2014
22	Thuker Singh	Sant Ram	Arnas	8 Kanal	G	Arnas	Gool Arnas	17/11/2014
23	Bhader Ali	Mohd Din	Matlote	8 Kanal	G	Arnas	Gool Arnas	9/11/2014
24	Sher Singh	Ram Sarn	Hander	8 Kanal	G	Arnas	Gool Arnas	10/11/2014
25	Parb Dayal	Ram Dass		8 Kanal	S.C	Arnas	Gool Arnas	11/11/2014
26	Faker Din	Saraj Din	Khad	8 Kanal	S.T	Arnas	Gool Arnas	15/11/2014
27	Paras Ram	Thuker Dass	Pansal	8 Kanal	G	Arnas	Gool Arnas	17/11/2014
28	karan Singh	Paras Ram	Pansal	8 Kanal	G	Arnas	Gool Arnas	9/11/2014
29	Bhader Singh	kaku Ram	Hander	8 Kanal	G	Arnas	Gool Arnas	11/11/2014
30	Karnal Singh	Wallu Ram	Hander	8 Kanal	G	Arnas	Gool Arnas	12/11/2014
31	Shofi	Yousaf	Kenthi	8 Kanal	S.T	Arnas	Gool Arnas	14/11/2014
32	Omker Singh	Bajetr Singh	Hander	8 Kanal	G	Arnas	Gool Arnas	17/11/2014
33		Shanker Dass	Hander	8 Kanal	SC	Arnas	Gool Arnas	9/11/2014
34	Vijay Singh	Basantu	Hander	8 Kanal	G	Arnas	Gool Arnas	10/11/2014
35			Hander	8 Kanal	G	Arnas	Gool Arnas	15/11/2014
36	Kaku Ram	Dharam Chand	Hander	8 Kanal	SC	Arnas	Gool Arnas	16/11/2014
37			Matlote	8 Kanal	S.T	Arnas	Gool Arnas	7/11/2014
38	Kuldeep	Dewan Chand	Hander	8 Kanal	G	Arnas	Gool Arnas	9/11/2014
39	Sher Singh	Anant Ram	Hander	8 Kanal	G	Arnas	Gool Arnas	15/11/2014
40	Balwan		Hander	8 Kanal	G	Arnas	Gool Arnas	10/11/2014

Certified that Pusa bold minikits @ 2kg Each frame has actually been issued to beneficiaries from 1 to 40 during Rabi 2014.

**List of farmer who are benefitted under Pusa bold minikits durning Rabi.2014 in respect of Zone Channa  
and Zone Mahore Sub Division Dharmari(2kg Each)**

S.No	Name of Farmer	Parentage	R/o	Area covered	Category	Block	Constituency	Date of Sowing
1	Jamal Din	Akbar	Darwal	8 Kanal	G	Mahore	Gulab Garh	09/11/2014
2	Bashir Ahmed	Ab. Rham	Darwal	8 Kanal	G	Mahore	Gulab Garh	08/11/2014
3	Javid Ahmed	Ab.Subham	Darwal	8 Kanal	G	Mahore	Gulab Garh	20/11/2014
4	Mohd Hussain		Shakri	8 Kanal	S.T	Mahore	Gulab Garh	17/11/2014
5	Punjab Singh	Jaj Ram	Channa	8 Kanal	G	Mahore	Gulab Garh	21/11/2014
6	Ab. Rashid	Kamal Din	Channa	8 Kanal	G	Mahore	Gulab Garh	20/11/2014
7	Mohd Afzal	Guffar	Channa	8 Kanal	G	Mahore	Gulab Garh	14/11/2014
8	Bag Hussain	Shaki Mohd	Dubri	8 Kanal	S.T	Mahore	Gulab Garh	17/11/2014
9	Mustaq Ahmed	Mohd Din	Dubri	8 Kanal	S.T	Mahore	Gulab Garh	21/11/2014
10	Shah Mohd	Mohd Hussain	Dubri	8 Kanal	S.T	Mahore	Gulab Garh	24/11/2014
11	Jamal Din	Mandia	Channa	8 Kanal	S.T	Mahore	Gulab Garh	27/11/2014
12	Latif	Mandia	Channa	8 Kanal	S.T	Mahore	Gulab Garh	10/11/2014
13	Mohd Ibram	Ata Mohd	Mahore	8 Kanal	S.T	Mahore	Gulab Garh	15/11/2014
14	Mustaq Ahmed	Baja	Angralla	8 Kanal	S.T	Mahore	Gulab Garh	14/11/2014
15	Nassar Hussain	Mohd Hussain	Jamslan	8 Kanal	S.T	Mahore	Gulab Garh	17/11/204
16	Ali Mohd	Karam Din	Sarh	8 Kanal	S.T	Mahore	Gulab Garh	21/11/2014
17	Munzar Ahmed	Bashir Ahmed	Jamslan	8 Kanal	S.T	Mahore	Gulab Garh	09/11/2014
18	Jalal Din	Sater Din	Jamslan	8 Kanal	G	Mahore	Gulab Garh	09/11/2014
19	Madan Singh	Amar Singh	Sarh	8 Kanal	G	Mahore	Gulab Garh	10/11/2014
20	Ab. Hameed	Gulam	Bagga	8 Kanal	G	Mahore	Gulab Garh	21/11/2014
21	Bhair Din	Ab. Rashid	Bagga	8 Kanal	G	Mahore	Gulab Garh	25/11/2014
22	Bashir Ahmed	Jamal Din	Bathoi	8 Kanal	G	Mahore	Gulab Garh	27/11/2014
23	Nazir Ahmed	Sakhi Mohd	Bagga	8 Kanal	G	Mahore	Gulab Garh	19/11/2014
24	Mon Din	Hader	Tukson	8 Kanal	G	Mahore	Gulab Garh	20/11/2014
25	Mustaq Ahmed	Alia	Tukson	8 Kanal	G	Mahore	Gulab Garh	14/11/2014
26	Mohd Shafi	Mamdu	Tukson	8 Kanal	G	Mahore	Gulab Garh	15/11/2014
27	Gulzar Ahmed	Ahada	Angralla	8 Kanal	G	Mahore	Gulab Garh	09/11/2014
28	Farooq Ahmed	Akbar	Angralla	8 Kanal	G	Mahore	Gulab Garh	17/11/2014
29	Najander Singh	Ant Ram	Channa	8 Kanal	G	Mahore	Gulab Garh	20/11/2014

30	Subhan Din	Guffar	Dubri	8 Kanal	G	Mahore	Gulab Garh	24/11/2014
31	Bhadir Ali	Amkalla	Shakari	8 Kanal	G	Mahore	Gulab Garh	17/11/2014
32	Ghulam Mohd	Noor Hussain	Shakari	8 Kanal	S.T	Mahore	Gulab Garh	20/11/2014
33	Kaff Hussain	Karam Baksh	Shakari	8 Kanal	S.T	Mahore	Gulab Garh	25/11/2014
34	Asmail	Karam Baksh	Shakari	8 Kanal	S.T	Mahore	Gulab Garh	09/11/2014
35	Madhu Ram	Ramu Ram	Shakari	8 Kanal	G	Mahore	Gulab Garh	11/11/2014
36	Ishair Dass	Lakmi Chand	Shakari	8 Kanal	G	Mahore	Gulab Garh	10/11/2014
37	Naseeb Singh	Jagel	Shakari	8 Kanal	G	Mahore	Gulab Garh	14/11/2014
38	Bashir Ahmed	Balanda	Shakari	8 Kanal	G	Mahore	Gulab Garh	17/11/2014
39	Kalla	Akbar	Shakari	8 Kanal	S.T	Mahore	Gulab Garh	19/11/2014
40	Jalab Hussain	Karam Baksh	Shakari	8 Kanal	S.T	Mahore	Gulab Garh	09/11/2014
41	Altaf Hussain	Karam	Shakari	8 Kanal	S.T	Mahore	Gulab Garh	11/11/2014
42	Mohd Aslam	Ibram	Shakari	8 Kanal	S.T	Mahore	Gulab Garh	14/11/2014
43	Ismail	Faquir	Shakari	8 Kanal	S.T	Mahore	Gulab Garh	17/11/2014
44	Ajaz Ahmed	Munzar Ahmed	Shakari	8 Kanal	G	Mahore	Gulab Garh	18/11/2014
45	Bashir Ahmed	Saf Din	Shakari	8 Kanal	G	Mahore	Gulab Garh	19/11/2014
46	Iqball	Mohd Shafi	Shakari	8 Kanal	G	Mahore	Gulab Garh	20/11/2014
47	Ab Jabair	Abdulla	Channa	8 Kanal	S.T	Mahore	Gulab Garh	14/11/2014
48	Ab Jabair	Sadiq	Channa	8 Kanal	G	Mahore	Gulab Garh	07/11/2014
49	Mohd Yosuf	Ab. Star	Channa	8 Kanal	S.T	Mahore	Gulab Garh	07/11/2014
50	Bashir Ahmed	Ab. Star	Channa	8 Kanal	S.T	Mahore	Gulab Garh	09/11/2014
51	Mohd Munzar	Bashir Ahmed	Channa	8 Kanal	G	Mahore	Gulab Garh	10/11/2014
52	Jamal Din	Abdulla	Channa	8 Kanal	G	Mahore	Gulab Garh	11/11/2014
53	Ajaz Ahmed	Ab. Latiff	Channa	8 Kanal	G	Mahore	Gulab Garh	14/11/2014
54	Mohd Ashrif	Jamal Din	Channa	8 Kanal	S.T	Mahore	Gulab Garh	9/11/2014
55	Ball kirshan	Punjab Singh	Channa	8 Kanal	G	Mahore	Gulab Garh	21/11/2014
56	Gain Singh	Ant Ram	Channa	8 Kanal	S.T	Mahore	Gulab Garh	22/11/2014
57	Parbal Singh	Daram Singh	Channa	8 Kanal		Mahore	Gulab Garh	
58	Mir Mohd	Najar	Channa	8 Kanal		Mahore	Gulab Garh	
59	Bashir Ahmed	Alia	Channa	8 Kanal		Mahore	Gulab Garh	
60	Munzar Ahmed	Hakam Din	Channa	8 Kanal		Mahore	Gulab Garh	

Certified that Pusa bold minikits @ 2kg Each farmer actually been issued to beneficiaries from 1 to 60 during Rabi 2014.

**List of farmer who are benefitted under DLDPR durning Rabi.2014 in respect of Zone Matlote**

**Sub Division Dharmari(2kg Each)**

S.No	Name of Farmer	Parentage	R/o	Area covered	Category	Block	Constituency	Fertilizer on		% Subsidy	Date of Sowing
								DAP(kg)	MOP(kg)		
1	Ali Mohd	Salam Din	Thuroo	1 ha	S.T	Arnas	Gool Arnas	66	30	30	7/10/2014
2	Mashrdin	Ali Mohd	Thuroo	1 ha	S.T	Arnas	Gool Arnas	66	30	30	5/11/2014
3	Kak hussain	Dali	Thuroo	1 ha	S.T	Arnas	Gool Arnas	66	30	30	3/10/2014
4	Babu Ram	Punjabu	Thuroo	1 ha	G	Arnas	Gool Arnas	66	30	30	9/11/2014
5	Gulam Hussain	Suba	Thuroo	1 ha	S.T	Arnas	Gool Arnas	66	30	30	24/11/2014
6	Roshan Din	Remn	Thuroo	1 ha	S.T	Arnas	Gool Arnas	66	30	30	17/10/2014
7	Tahir	Nazir Ahmed	Thuroo	1 ha	S.T	Arnas	Gool Arnas	66	30	30	19/11/2014
8	Khushi Mohd	Ali Mohd	Thuroo	1 ha	S.T	Arnas	Gool Arnas	66	30	30	20/11/2014
9	Mohd	Ismail	Thuroo	1 ha	S.T	Arnas	Gool Arnas	66	30	30	5/9/2014
10	Altaf	Abdulla	Thuroo	1 ha	S.T	Arnas	Gool Arnas	66	30	30	6/9/2014

**List of farmeres who are benefitted under Fodder Demonstration Programme (Barseem during rabi 2014 in Respect of Matlote Zone Sub-Division Dharmari.**

S.No	Name of Farmer	Parentage	R/o	Area covered	Category	Block	Constituency	Fertilizer on % Subsidy		Date of Sowing
								DAP(kg)	MOP(kg)	
1	Ram Lal	Nanak chand	Judda	8 Kanal	G	Arnas	Gool Arnas	40 kg	32 Kg	24/10/2014
2	Gulam Nabi	RoshanDin	Judda	8 Kanal	G	Arnas	Gool Arnas	40 kg	32 Kg	7/10/2014
3	Hamid	Gulam	Dugga	8 Kanal	G	Arnas	Gool Arnas	40 kg	32 Kg	19/10/2014
4	Mohd Iqbal	Razak	Dugga	8 Kanal	G	Arnas	Gool Arnas	40 kg	32 Kg	17/10/2014
5	Mohd Maqbool	Razak	Dugga	8 Kanal	G	Arnas	Gool Arnas	40 kg	32 Kg	20/10/2014
6	Mokumdin	Ker Din	Dansal	8 Kanal	G	Arnas	Gool Arnas	40 kg	32 Kg	23/10/2014



**List of farmer who are benefitted under Oilseed Programme (ATMA) Rabi.2014 in respect of Zone Matlote**

**Sub Division Dharmari(2kg Each)**

S.No	Name of Farmer	Parentage	R/o	Area covered	Category	Block	Constituency	Fertilizer on 100 % Subsidy			Date of Sowing
								Urea	DAP (kg)	MOP (kg)	
1	Bari	Faquir Chand	Hander	2 Kanal	G	Arnas	Gool Arnas	8.5	6.5	2.5	20/10/2014
2	Kartar Singh	Gulabu	Kanthan	2 Kanal	G	Arnas	Gool Arnas	8.5	6.5	2.5	20/10/2014
3	Angrez	Faquir Chand	Kanthan	2 Kanal	G	Arnas	Gool Arnas	8.5	6.5	2.5	19/10/2014
4	Tej Ram	Gulab	Hander	2 Kanal	G	Arnas	Gool Arnas	8.5	6.5	2.5	24/10/2014
5	Puran Chand	Shiv Ram	Hander	2 Kanal	G	Arnas	Gool Arnas	8.5	6.5	2.5	17/10/2014
6	Jodra	Beli Ram	Kanthan	2 Kanal	G	Arnas	Gool Arnas	8.5	6.5	2.5	21/10/2014
7	Yonus	Gulabnabi	Judda	2 Kanal	S.T	Arnas	Gool Arnas	8.5	6.5	2.5	29/10/2014
8	Saddan	Gulabnabi	Dugga	2 Kanal	S.T	Arnas	Gool Arnas	8.5	6.5	2.5	27/10/2014
9	Yosuf	Gulam	Dugga	2 Kanal	S.T	Arnas	Gool Arnas	8.5	6.5	2.5	25/10/2014
10	Shabsuram	Biju ram	Danor	2 Kanal	S.C	Arnas	Gool Arnas	8.5	6.5	2.5	26/10/2014
11	Krishan	Ram Singh	Dugga	2 Kanal	G	Arnas	Gool Arnas	8.5	6.5	2.5	24/10/2014
12	Babu Ram	Sansar Chand	Kansi	2 Kanal	S.C	Arnas	Gool Arnas	8.5	6.5	2.5	21/10/2014
13	Kartar	Kirpal	Kansi	2 Kanal	S.C	Arnas	Gool Arnas	8.5	6.5	2.5	20/10/2014
14	Rakesh	Gopi	SujanDhar	2 Kanal	S.C	Arnas	Gool Arnas	8.5	6.5	2.5	19/10/2014
15	Vijay Singh	Kaka	Kanthan	2 Kanal	G	Arnas	Gool Arnas	8.5	6.5	2.5	17/10/2014
16	Puran Chand	Chitran	Hunder	2 Kanal	S.C	Arnas	Gool Arnas	8.5	6.5	2.5	18/10/2014
17	Jagdish	Beli Ram	Dugga	2 Kanal	S.C	Arnas	Gool Arnas	8.5	6.5	2.5	21/10/2014
18	Ab. Aziz	Yosuf	Dansal	2 Kanal	S.T	Arnas	Gool Arnas	8.5	6.5	2.5	24/10/2014
19	Rattan	Kimmat Singh	Dansal	2 Kanal	S.T	Arnas	Gool Arnas	8.5	6.5	2.5	25/10/2014
20	Bahdurah	Mohd. Din	Matlote	2 Kanal	G	Arnas	Gool Arnas	8.5	6.5	2.5	26/10/2014
21	Abdul. Gofoor	Gulam Nabi	Judda	2 Kanal	S.T	Arnas	Gool Arnas	8.5	6.5	2.5	27/10/2014
22	Krishan	Buri Singh	Dugga	2 Kanal	G	Arnas	Gool Arnas	8.5	6.5	2.5	24/10/2014
23	Prem Singh	Beli Ram	Kansi	2 Kanal	G	Arnas	Gool Arnas	8.5	6.5	2.5	21/10/2014
24	Som Raj	Makhan	Hunder	2 Kanal	G	Arnas	Gool Arnas	8.5	6.5	2.5	20/10/2014
25	Vijay Ram	Kallia	Kanthan	2 Kanal	G	Arnas	Gool Arnas	8.5	6.5	2.5	19/10/2014

**List of farmers to whom Hybrid Vegetable Seed have been issued under TSP in respect of Sub  
Division Dharmari**

S.No	Name of Farmer	Parentage	R/o	Block	Constituency	Demonstration Hybrid vegetable seed	Date of Sowing
1	Noor Deen	Azim	Dharmari	Arnas	Gool Arnas	One Kit	3/2015
2	Bashir	Jamaldeen	Dharmari	Arnas	Gool Arnas	One Kit	4/2015
3	Rashid	LalDin	Dharmari	Arnas	Gool Arnas	One Kit	3/2015
4	Mirwaz	Kalu	Dharmari	Arnas	Gool Arnas	One Kit	3/2015
5	Aziz	Noor mohd	Dharmari	Arnas	Gool Arnas	One Kit	4/2015
6	Abgam	Mohden	Dharmari	Arnas	Gool Arnas	One Kit	3/2015
7	Ibrahim	Ismail	Dharmari	Arnas	Gool Arnas	One Kit	3/2015
8	Liyakat Ali	Noor Hussain	Dharmari	Arnas	Gool Arnas	One Kit	3/2015
9	Gulamah	Noora	Dharmari	Arnas	Gool Arnas	One Kit	4/2015
10	Bashir	Noora	Dharmari	Arnas	Gool Arnas	One Kit	3/2015
11	Sher din	Mawdeen	Dharmari	Arnas	Gool Arnas	One Kit	3/2015
12	Mohd Ashraf	Ismail	Dharmari	Arnas	Gool Arnas	One Kit	3/2015
13	Jan Mohd	Ali Mohd	Dharmari	Arnas	Gool Arnas	One Kit	4/2015
14	Ab Rashid	Noor Mohd	Dharmari	Arnas	Gool Arnas	One Kit	3/2015
15	Mohd shafi	Mir Baksh	Dharmari	Arnas	Gool Arnas	One Kit	3/2015
16	Talib	Mir	Dharmari	Arnas	Gool Arnas	One Kit	3/2015
17	Sher Mohd	Abdul Mir	Dharmari	Arnas	Gool Arnas	One Kit	4/2015
18	Ali Mohd	Mir Baksh	Dharmari	Arnas	Gool Arnas	One Kit	3/2015
19	Bashir Ahmed	Ismail	Dharmari	Arnas	Gool Arnas	One Kit	3/2015
20	Shabir	Ibrahim	Dharmari	Arnas	Gool Arnas	One Kit	4/2015
21	Moh Ashraf	Nizam Deen	Dharmari	Arnas	Gool Arnas	One Kit	3/2015
22	Saddan	Nazir	Dharmari	Arnas	Gool Arnas	One Kit	3/2015
23	Ab karim	Mir Baz	Dharmari	Arnas	Gool Arnas	One Kit	4/2015
24	Mishdeen	Mohd Yousaf	Dharmari	Arnas	Gool Arnas	One Kit	4/2015
25	Abdul karim	Hamara deen	Dharmari	Arnas	Gool Arnas	One Kit	3/2015
26	Khushi Mohd	Nizam Deen	Dharmari	Arnas	Gool Arnas	One Kit	3/2015
27	Abdulla	Haqib	Dharmari	Arnas	Gool Arnas	One Kit	3/2015
28	Kaka Hussain	Abdulla	Dharmari	Arnas	Gool Arnas	One Kit	4/2015
29	Ali mohd	Salandeen	Dharmari	Arnas	Gool Arnas	One Kit	3/2015
30	Gul hussain	Suba	Dharmari	Arnas	Gool Arnas	One Kit	3/2015
31	Munir	Alia	Dharmari	Arnas	Gool Arnas	One Kit	4/2015
32	Liakat Ali	Hazi Buland Khan	Dharmari	Arnas	Gool Arnas	One Kit	3/2015
33	Akbar Ali	Mohd.Khushi	Dharmari	Arnas	Gool Arnas	One Kit	4/2015
34	Mohd. Ayub	Mir	Dharmari	Arnas	Gool Arnas	One Kit	3/2015
35	Kaka Hussain	Abdulla	Dharmari	Arnas	Gool Arnas	One Kit	3/2015
36	Mohd hussain	Akka	Jamslan	Arnas	Gool Arnas	One Kit	3/2015
37	Ferzdea	Falta	Jamslan	Arnas	Gool Arnas	One Kit	3/2015
38	Liaykat Ali	Fatta Mohd.	Jamslan	Arnas	Gool Arnas	One Kit	3/2015
39	Nizar Hussain	Mohd hussain	Jamslan	Arnas	Gool Arnas	One Kit	4/2015
40	Mushtaq Ahmed.	LalDin	Jamslan	Arnas	Gool Arnas	One Kit	3/2015
41	Mishdeen	Salandeen	Jamslan	Arnas	Gool Arnas	One Kit	4/2015
42	Jalaldeen	SattraDeen	Jamslan	Arnas	Gool Arnas	One Kit	3/2015

S.No	Name of Farmer	Parentage	R/o	Block	Constituency	Demonstration Hybrid vegetable seed	Date of Sowing
43	MeerBaksh	Laldeen	Jamslan	Arnas	Gool Arnas	One Kit	4/2015
44	Rafiq	Sarjdeen	Jamslan	Arnas	Gool Arnas	One Kit	3/2015
45	Mohd. Yosuf	Meria	Jamslan	Arnas	Gool Arnas	One Kit	4/2015
46	Gulham Hussain	Fiaz Mohd	Jamslan	Arnas	Gool Arnas	One Kit	3/2015
47	Saki Mohd	Abdulla	Jamslan	Arnas	Gool Arnas	One Kit	3/2015
48	Nissar Hussain	Ilamdeen	Jamslan	Arnas	Gool Arnas	One Kit	3/2015
49	Mohd sharif	Ilamdeen	Jamslan	Arnas	Gool Arnas	One Kit	3/2015
50	Karim Baksh	Falta	Jamslan	Arnas	Gool Arnas	One Kit	3/2015
51	Nizamdeen	Ali Mohd	Khor	Arnas	Gool Arnas	One Kit	3/2015
52	Noor Hussain	Ilamdeen	Khor	Arnas	Gool Arnas	One Kit	3/2015
53	Sarjdeen	Sardarn	Khor	Arnas	Gool Arnas	One Kit	3/2015
54	Sher Mohd	Noor Mohd	Khor	Arnas	Gool Arnas	One Kit	3/2015
55	Mohd Quasim	Mir Hussain	Ladh	Arnas	Gool Arnas	One Kit	4/2015
56	Mohd Isaq	Akka	Ladh	Arnas	Gool Arnas	One Kit	4/2015
57	Noor Mohd	Mohd Hussain	Ladh	Arnas	Gool Arnas	One Kit	4/2015
58	Mohd Rafiq	Ali Mohd	Ladh	Arnas	Gool Arnas	One Kit	3/2015
59	Jamala	Rahim	Ladh	Arnas	Gool Arnas	One Kit	3/2015
60	Shafi	Noor Mohd	Ladh	Arnas	Gool Arnas	One Kit	3/2015
61	Liaquat Ali	RoshanDeen	Ladh	Arnas	Gool Arnas	One Kit	3/2015
62	Wani Mohd	Sadiq	Ladh	Arnas	Gool Arnas	One Kit	3/2015
63	Noordeen	Quadir	Ladh	Arnas	Gool Arnas	One Kit	4/2015
64	Muneer Hussain	Gulam Hussain	Ladh	Arnas	Gool Arnas	One Kit	4/2015
65	Manzoor	M	Ladh	Arnas	Gool Arnas	One Kit	4/2015
66	Galabu	Aladeen	Ladh	Arnas	Gool Arnas	One Kit	3/2015
67	Mohd Sherif	Gulam Mohd	Ladh	Arnas	Gool Arnas	One Kit	3/2015
68	Ab. Rashid	Shah Mohd	Chana	Arnas	Gool Arnas	One Kit	3/2015
69	Javed Iqbal	Mohd Farooq	Chana	Arnas	Gool Arnas	One Kit	3/2015
70	Nazir Ahmed	Faqardeen	Hasote	Arnas	Gool Arnas	One Kit	3/2015
71	Hakamdeen	Salah Mohd	Hasote	Arnas	Gool Arnas	One Kit	3/2015
72	Gul. Hussain	Mir	Gota	Arnas	Gool Arnas	One Kit	4/2015
73	Mohd Jameel	Bashir Ah.	Chassana	Arnas	Gool Arnas	One Kit	3/2015
74	Manzoor Ah.	Alideen	Gulabgarh	Arnas	Gool Arnas	One Kit	3/2015
75	Mohd Yosuf	Mir	Gota	Arnas	Gool Arnas	One Kit	3/2015
76	Kagh hussain	Sher Mohd	Chassana	Arnas	Gool Arnas	One Kit	3/2015
77	Gulam Hussain	Mir	Gota	Arnas	Gool Arnas	One Kit	3/2015
78	Manzoor hussain	Faqardeen	Gota	Arnas	Gool Arnas	One Kit	3/2015
79	Ab. Shad	Wasim	Hasote	Arnas	Gool Arnas	One Kit	4/2015
80	Noor Mohd	Mohd. Roshan	Hasote	Arnas	Gool Arnas	One Kit	3/2015
81	Muneer	Mohd. Hussain	Tuli	Arnas	Gool Arnas	One Kit	3/2015
82	Lal Hussain	Israil	Tuli	Arnas	Gool Arnas	One Kit	4/2015
83	Gulam Nabi	Mohd Shafi	Tuli	Arnas	Gool Arnas	One Kit	3/2015
84	Ab. Gani	Faqardeen	Hasote	Arnas	Gool Arnas	One Kit	3/2015
85	Bashir Ah.	Faqardeen	Hasote	Arnas	Gool Arnas	One Kit	4/2015

**LIST OF FARMERS TO WHOM VEGETABLE TRIALS HAS BEEN DISTRIBUTED DURING KHARIF 2015 IN RESPECT OF DHARMARI  
SUB DIVISION**

S.No	Name of the farmer	Parentage	R/O	Seed with variety	Quantity Issued	Date of Sowing	Cell No. of the official	Cell No. of the official	Name of the official
1	Mohd Yousf	Ab. Aziz	Hari wala	Chilli NBH	20 gm	25-04-2015	8803619585	8492920914	Gopal
2	Mohd Rafiz	Sardar Ali	Thuroo	Brinjal Proha Bitter Gouard	10 gm 10gm	24-04-2015	9797054088	7298274751	Krishan
3	Sushil Thakur	Harnam Singh	Kanthi	Brinjal Chilles	10 gm 10gm	25-04-2015		7298274751	Krishan
4	Mohd hussain	Haji Abdul Guffor	Thiral	Tomato-333 Chilli	20 gm 20gm	5/5/2015	96222038123	8492920914	Gopal
5	Mohd Sharif	Ali Mohd	Thuroo	Bitter Gouard Tomato Nos- 333	10 gm 10gm	20-05-2015	9596818474	7298274751	Krishan
6	Mohd farooq	Ramjan	Challed	Tomato-333 Chilli	10 gm 10gm	22-05-2015	95968339473	9797573304	Shridev Singh
7	Konj lal	Golabu	Dharmari	Brinjal	10 gm	6/6/2015	9622372843	7298274751	Krishan
8	Johan Mohd	Nazir Ahmed	Thuroo	Bitter Gouard	10 gm	5/6/2015	9596898265	7298274751	Krishan
9	Chain Singh	Lal Singh	Pattia	Tomato Chilli	10 gm 20gm	25-06-2015	9622085461	7298274751	Krishan

**LIST OF FARMERS IN RESPECT OF DHARMARI SUB DIVISION TO WHOM ONION (EARLY GRAND) HAS BEEN DISTRIBUTED FREE OF COST DURING RABI 2014**

S.No	Name of the Farmers	Parentage	R/o	Area Covered	Quantity Seed issued	Category	Block	Constituency	Date of Sowing	Date of Harvesting	Yield per Kanal (Qtls)
1	Afzal Sajjad	Abdul Gafoor	Matlote	1 kanal	125 gm	ST	Arnas	Gool Arnas	7/11/2014	Last week of May	7
2	Noor Mohd	Munshi Ibrahim	Matlote	1 kanal	125 gm	ST	Arnas	Gool Arnas	5/11/2014	Last week of May	5
3	Javeed Iqbal	Noor Mohd	Matlote	1 kanal	125 gm	ST	Arnas	Gool Arnas	10/11/2014	Last week of May	6
4	Bahadur Ali	Moh Deen	Matlote	1 kanal	125 gm	G	Arnas	Gool Arnas	9/11/2014	Last week of May	5
5	Bashir Ah.	Hakamdin	Matlote	1 kanal	125 gm	ST	Arnas	Gool Arnas	8/11/2014	Last week of May	7
6	Mohd. Quasim	Haji Roshan	Matlote	1 kanal	125 gm	ST	Arnas	Gool Arnas	7/11/2014	Last week of May	6
7	Mohd Rafiq	Haji Roshan	Matlote	1 kanal	125 gm	ST	Arnas	Gool Arnas	6/11/2014	Last week of May	6
8	Shivdass	Dayaram	Matlote	1 kanal	125 gm	G	Arnas	Gool Arnas	4/11/2014	Last week of May	7
9	Ranjit Singh	Shivdass	Matlote	1 kanal	125 gm	G	Arnas	Gool Arnas	21/11/2014	Last week of May	7
10	Mohd Yusuf	Ibrahim	Hunder	1 kanal	125 gm	ST	Arnas	Gool Arnas	5/11/2014	Last week of May	7
11	Sawaran Singh	Prakash	Hunder	1 kanal	125 gm	G	Arnas	Gool Arnas	7/11/2014	Last week of May	6
12	Omkar Singh	Vichitra Singh	Hunder	1 kanal	125 gm	G	Arnas	Gool Arnas	14/11/2014	Last week of May	7
13	Mohd. Mama	Fazaldin	Hunder	1 kanal	125 gm	ST	Arnas	Gool Arnas	20/11/2014	Last week of May	6
14	Kuldeep Singh	Prakash Singh	Hunder	1 kanal	125 gm	G	Arnas	Gool Arnas	19/11/2014	Last week of May	6
15	Kakaram	Sunder Singh	Hunder	1 kanal	125 gm	SC	Arnas	Gool Arnas	20/11/2014	Last week of May	7
16	Bahadur	Amru	Hunder	1 kanal	125 gm	SC	Arnas	Gool Arnas	21/11/2014	Last week of May	7
17	Mohd Faiz	Payasa	Hunder	1 kanal	125 gm	G	Arnas	Gool Arnas	20/11/2014	Last week of May	7
18	Sher Singh	Bikru	Hunder	1 kanal	125 gm	G	Arnas	Gool Arnas	7/11/2014	Last week of May	6
19	Gandher Singh	Prakash Singh	Hunder	1 kanal	125 gm	G	Arnas	Gool Arnas	5/11/2014	Last week of May	7
20	Mohan Lal	Krishan Singh	Hunder	1 kanal	125 gm	ST	Arnas	Gool Arnas	10/11/2014	Last week of May	7
21	Satvant Singh	Nanak Singh	Chassana	1 kanal	125 gm	G	Mahore	Gulab Garh	9/11/2014	Last week of May	7
22	Jasbir Singh	Amru Singh	Chassana	1 kanal	125 gm	G	Mahore	Gulab Garh	8/11/2014	Last week of May	6
23	Pawan Singh	Sundok Singh	Chassana	1 kanal	125 gm	G	Mahore	Gulab Garh	7/11/2014	Last week of May	6
24	Inderjeet Singh	Satvant Singh	Chassana	1 kanal	125 gm	G	Mahore	Gulab Garh	6/11/2014	Last week of May	7
25	Inderjeet Kour	Satvant Singh	Chassana	1 kanal	125 gm	G	Mahore	Gulab Garh	4/11/2014	Last week of May	7
26	Kuljeet Kour	Inder Singh	Chassana	1 kanal	125 gm	G	Mahore	Gulab Garh	21/11/2014	Last week of May	7
27	Mohd Iqbal	Abdul Rashid	Chassana	1 kanal	125 gm	ST	Mahore	Gulab Garh	5/11/2014	Last week of May	6
28	Mehboob	Bisha	Chassana	1 kanal	125 gm	G	Mahore	Gulab Garh	7/11/2014	Last week of May	7

29	Makhandeen	Hussain Deen	Chassana	1 kanal	125 gm	ST	Mahore	Gulab Garh	14/11/2014	Last week of May	6
30	Ajay Singh	Faquir Chand	Chassana	1 kanal	125 gm	G	Mahore	Gulab Garh	20/11/2014	Last week of May	6
31	Mohd Akram	Mohd. Amin	Mohare	1 kanal	125 gm	ST	Mahore	Gulab Garh	19/11/2014	Last week of May	7
32	Madu Singh	Amar Singh	Sarh	1 kanal	125 gm	G	Mahore	Gulab Garh	20/11/2014	Last week of May	7
33	Bansi Lal	Mir Chand	Sarh	1 kanal	125 gm	G	Mahore	Gulab Garh	7/11/2014	Last week of May	7
34	Lal Din	Makhna	Mohare	1 kanal	125 gm	ST	Mahore	Gulab Garh	5/11/2014	Last week of May	6
35	Ali Mohd.	Karamdin	Sarh	1 kanal	125 gm	ST	Mahore	Gulab Garh	10/11/2014	Last week of May	7
36	Des Raj	Akram	Sarh	1 kanal	125 gm	G	Mahore	Gulab Garh	9/11/2014	Last week of May	7
37	Abdulazz	Mohd Abdulla	Jamlan	1 kanal	125 gm	G	Mahore	Gulab Garh	8/11/2014	Last week of May	7
38	Mohd. Shafi	Gulam Nabi	Jamlan	1 kanal	125 gm	G	Mahore	Gulab Garh	7/11/2014	Last week of May	6
39	Mohd Farooq	Mohd Shah	Jamlan	1 kanal	125 gm	G	Mahore	Gulab Garh	6/11/2014	Last week of May	6
40	Jalaldin	Sattardin	Jamlan	1 kanal	125 gm	ST	Mahore	Gulab Garh	14/11/2014	Last week of May	7
41	Vijay ram	Gokul	Channa	1 kanal	125 gm	G	Mahore	Gulab Garh	20/11/2014	1st week of june	8
42	Payar Singh	Jagatram	Channa	1 kanal	125 gm	G	Mahore	Gulab Garh	19/11/2014	1st week of june	7
43	Gyan Singh	Anant Ram	Channa	1 kanal	125 gm	G	Mahore	Gulab Garh	20/11/2014	1st week of june	8
44	Payar Singh	Vijay Ram	Channa	1 kanal	125 gm	G	Mahore	Gulab Garh	21/11/2014	1st week of june	7
45	Ab. Rashid	Kamaldin	Channa	1 kanal	125 gm	G	Mahore	Gulab Garh	20/11/2014	1st week of june	8
46	Ball Krishan	Punajboo	Channa	1 kanal	125 gm	G	Mahore	Gulab Garh	5/11/2014	1st week of june	8
47	Vijay Singh	Anant Ram	Channa	1 kanal	125 gm	G	Mahore	Gulab Garh	10/11/2014	1st week of june	7
48	Mohd. Afzazl	Goffara	Channa	1 kanal	125 gm	G	Mahore	Gulab Garh	9/11/2014	1st week of june	7
49	Mohd Iqbal	Anwar	Channa	1 kanal	125 gm	G	Mahore	Gulab Garh	8/11/2014	1st week of june	7
50	Mohd Sadiq	Abdul Rashid	Channa	1 kanal	125 gm	G	Mahore	Gulab Garh	7/11/2014	1st week of june	8
51	SamsDin	Allaha Din	Lar	1 kanal	125 gm	G	Mahore	Gulab Garh	6/11/2014	1st week of june	-
52	Mohd Iqbal	Bashir Ahmed	Lar	1 kanal	125 gm	G	Mahore	Gulab Garh	7/11/2014	1st week of june	-
53	Mohd Shaffi	Allaha Din	Lar	1 kanal	125 gm	ST	Mahore	Gulab Garh	5/11/2014	1st week of june	-
54	Nazam Din	Allaha Din	Lar	1 kanal	125 gm	ST	Mahore	Gulab Garh	10/11/2014	1st week of june	-
55	Noor Hussain	Gulam Din	Lar	1 kanal	125 gm	ST	Mahore	Gulab Garh	9/11/2014	1st week of june	-
56	Mustaq	Alli Mohd	Lar	1 kanal	125 gm	ST	Mahore	Gulab Garh	8/11/2014	1st week of june	-
57	Krishan	AnantRam	Lar	1 kanal	125 gm	ST	Mahore	Gulab Garh	7/11/2014	1st week of june	-
58	Mohd Haneef	Ab. Qartar	Lar	1 kanal	125 gm	G	Mahore	Gulab Garh	6/11/2014	1st week of june	-
59	Mustaq	Ahmdu	Lar	1 kanal	125 gm	G	Mahore	Gulab Garh	4/11/2014	1st week of june	-
60	Ab. Subhan	Ab. Gani	Lar	1 kanal	125 gm	G	Mahore	Gulab Garh	21/11/2014	1st week of june	-

61	Bashir Ah.	Ahmdu	Budher	1 kanal	125 gm	G	Mahore	Gulab Garh	5/11/2014	Ist week of june	5
62	Nazir Ahmed	Ab. Gani	Budher	1 kanal	125 gm	G	Mahore	Gulab Garh	7/11/2014	Ist week of june	5
63	Roshan Din	Qadar	Budher	1 kanal	125 gm	G	Mahore	Gulab Garh	14/11/2014	Ist week of june	6
64	Manzoor Ahmed	Ab. Raheem	Budher	1 kanal	125 gm	G	Mahore	Gulab Garh	20/11/2014	Ist week of june	6
65	Gulam Mohd.	Ad. Aziz	Budher	1 kanal	125 gm	G	Mahore	Gulab Garh	10/11/2014	Ist week of june	5
66	Shardeen	Gulam Mohd.	Budher	1 kanal	125 gm	G	Mahore	Gulab Garh	9/11/2014	Ist week of june	5
67	Manzoor Ahmed	Akram Din	Budher	1 kanal	125 gm	G	Mahore	Gulab Garh	8/11/2014	Ist week of june	6
68	kamal din	Ahmdu	Budher	1 kanal	125 gm	G	Mahore	Gulab Garh	7/11/2014	Ist week of june	5
69	Bashir Ahmed	Gulam Qadir	Budher	1 kanal	125 gm	G	Mahore	Gulab Garh	6/11/2014	Ist week of june	5
70	Mohd Yusuf	Mohamd	Budher	1 kanal	125 gm	ST	Mahore	Gulab Garh	7/11/2014	Ist week of june	6
71	Iqbal	Gulam Nabi	Budhan	1 kanal	125 gm	ST	Mahore	Gulab Garh	5/11/2014	Ist week of june	6
72	Bashir	Ali Mohd	Budhan	1 kanal	125 gm	G	Mahore	Gulab Garh	10/11/2014	Ist week of june	5
73	Nazir Ahmed	Ali Mohd	Budhan	1 kanal	125 gm	G	Mahore	Gulab Garh	9/11/2014	Ist week of june	5
74	Raz	Abdul Hamir	Budhan	1 kanal	125 gm	ST	Mahore	Gulab Garh	8/11/2014	Ist week of june	6
75	Yusuf	Ab. Karim	Budhan	1 kanal	125 gm	ST	Mahore	Gulab Garh	7/11/2014	Ist week of june	7
76	Nizam	Ali Mohd	Budhan	1 kanal	125 gm	ST	Mahore	Gulab Garh	6/11/2014	Ist week of june	5
77	Mohd farooq	Ali Mohd	Budhan	1 kanal	125 gm	ST	Mahore	Gulab Garh	4/11/2014	Ist week of june	6
78	Bashir Ahmed	Fazal din	Chaklas	1 kanal	125 gm	ST	Mahore	Gulab Garh	21/11/2014	Ist week of june	6
79	Mir Hussain	Alla Din	Chaklas	1 kanal	125 gm	ST	Mahore	Gulab Garh	5/11/2014	Ist week of june	7
80	Ab. Latif	Ab. Qadir	Saldhal	1 kanal	125 gm	ST	Mahore	Gulab Garh	10/11/2014	Ist week of june	7

**LIST OF FARMERS UNDER MATLOTE ZONE WHO HAVE LAID GIZZA-14 ON FARM TRIAL DURING KHARIF.2015 IN RESPECT OF DHARMARI SUB DIVISION BLOCK ARNAS CONSTITUENCY GOOL ARNAS**

<b>S.No</b>	<b>Name of the Farmer</b>	<b>Parentage</b>	<b>R/O</b>	<b>Quantity Issued</b>	<b>Category</b>	<b>Date of Nursery Sowing</b>	<b>Remarks</b>
1	Abdul Hamid	Noor Hussain	Khad	15 kg	ST	7/6/2015	
2	Fakardin	Saragdin	Khad	15 kg	ST	7/6/2015	
3	Noor Mohd	Roshandin	Khad	15 kg	ST	6/6/2015	
4	Abdulhaq	Abdulaziz	Khad	15 kg	ST	5/6/2015	
5	Shakerdin	Saragdin	Khad	15 kg	ST	5/6/2015	
6	Mirchand	Gatu	Khad	15 kg	SC	7/6/2015	
7	Baldev Chand	Bindru	Khad	15 kg	SC	5/6/2015	
8	Abdulgani	Abdulhamid	Khad	15 kg	ST	7/6/2015	
9	Mohd Hussain	Abdul Gani	Khad	15 kg	ST	6/6/2015	
10	Paraschand	Kripu	Khad	15 kg	ST	7/6/2015	



**List of beneficiary benefitted under state Extension programme for Extension Refroms (ATMA)  
in respect of Dharmari Sub Division Rabi 2014.**

S.No	Name of the Farmers	Parentage	R/o	Area Covered	Block	Constituency	Categori	Fertilizer on 100% Subsidy			Seed on 100 % Subsidy	Date of Sowing
								Urea/kg	DAP (Kg)	MOP (kg)		
1	Pawan Singh	Som Dhat	Tuli	8 Kanal	Mahore	GulbGarh	G	40 kg	26.4	14	40 kg	2/11/2014
2	Inder Singh	Babu Ram	Tuli	8 Kanal	Mahore	GulbGarh	G	40 kg	26.4	14	40 kg	3/11/2014
3	Satvant Singh	Nank Singh	Gota	8 Kanal	Mahore	GulbGarh	G	40kg	26.4	14	40kg	5/11/2014
4	Madu Singh	Amar Singh	Sarh	8 Kanal	Mahore	GulbGarh	G	40 kg	26.4	14	40 kg	7/11/2014
5	Mir Hussain	Lal Din	Bathoi	8 Kanal	Mahore	GulbGarh	ST	40 kg	26.4	14	40 kg	10/11/2014
6	Bashir Ahmed	Hashmat Kha	Chaklas	8 Kanal	Mahore	GulbGarh	ST	40kg	26.4	14	40kg	1/11/2014
7	Farooq	Hashmat Kha	Bathoi	8 Kanal	Mahore	GulbGarh	ST	40 kg	26.4	14	40 kg	5/11/2014
8	Mohd Shaz	Bazdeen	Sungri	8 Kanal	Mahore	GulbGarh	ST	40 kg	26.4	14	40 kg	7/11/2014
9	Muktar Ahmed	Abdul Rashid	Channa	8 Kanal	Mahore	GulbGarh	ST	40kg	26.4	14	40kg	12/11/2014
10	Suraj Singh	Laxman Singh	Channa	8 Kanal	Mahore	GulbGarh	G	40 kg	26.4	14	40 kg	14/11/2014
11	Fakardin	Sarajdin	Khad	8 Kanal	Arnas	Gool Arnas	ST	40 kg	26.4	14	40 kg	27/11/2014
12	Ab.Rashid	Ab.Karim	Matlote	8 Kanal	Arnas	Gool Arnas	ST	40kg	26.4	14	40kg	15/11/2014
13	Baldev Chand	Bandru	Matlote	8 Kanal	Arnas	Gool Arnas	SC	40kg	26.4	14	40kg	17/11/2014
14	Bashir Ahmed	Hakamdin	Paddar	8 Kanal	Arnas	Gool Arnas	ST	40 kg	26.4	14	40 kg	11/11/2014
15	Romal Singh	Maniram	Kanthi	8 Kanal	Arnas	Gool Arnas	G	40 kg	26.4	14	40 kg	14/11/2014
16	Mubrak Singh	ShivDass	Kanthi	8 Kanal	Arnas	Gool Arnas	G	40kg	26.4	14	40kg	19/11/2014
17	Ghulam	Noordin	Kanthi	8 Kanal	Arnas	Gool Arnas	G	40 kg	26.4	14	40 kg	20/11/2014
18	Ab. Rashid	Mir Mohd.	Matlote	8 Kanal	Arnas	Gool Arnas	ST	40 kg	26.4	14	40 kg	4/11/2014

**List of beneficiary benefitted under state Extension programme for Extension Refroms (ATMA) in respect of Dharmari Sub Division Peas 2014.**

S.No	Name of the Farmers	Parentage	R/o	Area Covered	Block	Constituency	Categoriye	Fertilizer on 100% Subsidy		Date of Sowing
								DAP (Kg)	MOP (kg)	
1	Mohd Yosuf	Mir	Danor	4 Kanals	Arnas	Gool Arnas	ST	24 Kg	16 Kg	15/9/2014
2	Shukar Din	Abdulla	Danor	4 Kanals	Arnas	Gool Arnas	ST	24 Kg	16 Kg	17/10/2014
3	Nazir	Saia Bakarval	Danor	4 Kanals	Arnas	Gool Arnas	ST	24 Kg	16 Kg	21/9/2014
4	Bashir Ah.	Hakamdin	Matlote	4 Kanals	Arnas	Gool Arnas	ST	24 Kg	16 Kg	17/9/2014
5	Habib	Sain	Judda	4 Kanals	Arnas	Gool Arnas	Gen	24 Kg	16 Kg	18/9/2014
6	Aljdin	Haji Atta Mohd	Mahore	4 Kanals	Mahore	GoolGulabgarh	ST	24 Kg	16 Kg	20/10/2014
7	Mohd Rafiq	Baja	Mahore	4 Kanals	Mahore	GoolGulabgarh	ST	24 Kg	16 Kg	17/9/2014
8	Mohd Abzal	Quadir	Sarh	4 Kanals	Mahore	GoolGulabgarh	Gen	24 Kg	16 Kg	17/10/2014
9	Mohd.Qasain	Jamaldin	Buddan	4 Kanals	Mahore	GoolGulabgarh	Gen	24 Kg	16 Kg	17/10/2014
10	Nazir Ah.	Roshandin	Buddan	4 Kanals	Mahore	GoolGulabgarh	Gen	24 Kg	16 Kg	20/10/2014
11	Ab.Hamid	Sattar	Manjikote	4 Kanals	Mahore	GoolGulabgarh	Gen	24 Kg	16 Kg	15/9/2014
12	Sher Mohd	Saha Mohd	Chasana	4 Kanals	Mahore	GoolGulabgarh	ST	24 Kg	16 Kg	17/9/2014
13	Javeed Iqbal	Mohd Farooq	Hasote	4 Kanals	Mahore	GoolGulabgarh	ST	24 Kg	16 Kg	15/9/2014
14	Gul.Hussain	Mir Mohd	Gota	4 Kanals	Mahore	GoolGulabgarh	ST	24 Kg	16 Kg	23/10/2014
15	Mohd Farooz	Hasmata Khan	Buddan	4 Kanals	Mahore	GoolGulabgarh	ST	24 Kg	16 Kg	14/9/2014
16	Mohd. Ashraf	Makhana	Lancha	4 Kanals	Mahore	GoolGulabgarh	ST	24 Kg	16 Kg	21/9/2014
17	Liaquat Ali	Bashir Ahd.	Chaklas	4 Kanals	Mahore	GoolGulabgarh	ST	24 Kg	16 Kg	20/10/2014
18	Mohd Amin	Ab. Sattar	Dubri	4 Kanals	Mahore	GoolGulabgarh	ST	24 Kg	16 Kg	27/10/2014
19	Raiz Ah.	Ab. Latif	Channa	4 Kanals	Mahore	GoolGulabgarh	ST	24 Kg	16 Kg	18/10/2014
20	Bashir Ah.	Chattu	Channa	4 Kanals	Mahore	GoolGulabgarh	ST	24 Kg	16 Kg	19/10/2014

**List of farmer who are benefitted under DLDPR durning Rabi.2014 in respect of Zone Matlote**

**Sub Division Dharmari(2kg Each)**

S.No	Name of Farmer	Parentage	R/o	Area covered	Category	Block	Constituency	Fertilizer on		% Subsidy	Date of Sowing
								DAP(kg)	MOP(kg)		
1	Ali Mohd	Salam Din	Thuroo	1 ha	S.T	Arnas	Gool Arnas	66	30	30	7/10/2014
2	Mashrdin	Ali Mohd	Thuroo	1 ha	S.T	Arnas	Gool Arnas	66	30	30	5/11/2014
3	Kak hussain	Dali	Thuroo	1 ha	S.T	Arnas	Gool Arnas	66	30	30	3/10/2014
4	Babu Ram	Punjabu	Thuroo	1 ha	G	Arnas	Gool Arnas	66	30	30	9/11/2014
5	Gulam Hussain	Suba	Thuroo	1 ha	S.T	Arnas	Gool Arnas	66	30	30	24/11/2014
6	Roshan Din	Remn	Thuroo	1 ha	S.T	Arnas	Gool Arnas	66	30	30	17/10/2014
7	Tahir	Nazir Ahmed	Thuroo	1 ha	S.T	Arnas	Gool Arnas	66	30	30	19/11/2014
8	Khushi Mohd	Ali Mohd	Thuroo	1 ha	S.T	Arnas	Gool Arnas	66	30	30	20/11/2014
9	Mohd	Ismail	Thuroo	1 ha	S.T	Arnas	Gool Arnas	66	30	30	5/9/2014
10	Altaf	Abdulla	Thuroo	1 ha	S.T	Arnas	Gool Arnas	66	30	30	6/9/2014

**List of farmeres who are benefitted under Fodder Demonstration Programme (Barseem during rabi 2014 in Respect of Matlote Zone Sub-Division Dharmari.**

S.No	Name of Farmer	Parentage	R/o	Area covered	Category	Block	Constituency	Fertilizer on % Subsidy		Date of Sowing
								DAP(kg)	MOP(kg)	
1	Ram Lal	Nanak chand	Judda	8 Kanal	G	Arnas	Gool Arnas	40 kg	32 Kg	24/10/2014
2	Gulam Nabi	RoshanDin	Judda	8 Kanal	G	Arnas	Gool Arnas	40 kg	32 Kg	7/10/2014
3	Hamid	Gulam	Dugga	8 Kanal	G	Arnas	Gool Arnas	40 kg	32 Kg	19/10/2014
4	Mohd Iqbal	Razak	Dugga	8 Kanal	G	Arnas	Gool Arnas	40 kg	32 Kg	17/10/2014
5	Mohd Maqbool	Razak	Dugga	8 Kanal	G	Arnas	Gool Arnas	40 kg	32 Kg	20/10/2014
6	Mokumdin	Ker Din	Dansal	8 Kanal	G	Arnas	Gool Arnas	40 kg	32 Kg	23/10/2014

**List of farmer who are benefitted under Oilseed Programme (ATMA) Rabi.2014 in respect of Zone Matlote**

**Sub Division Dharmari(2kg Each)**

S.No	Name of Farmer	Parentage	R/o	Area covered	Category	Block	Constituency	Fertilizer on 100 % Subsidy			Date of Sowing
								Urea	DAP (kg)	MOP (kg)	
1	Bari	Faquir Chand	Hander	2 Kanal	G	Arnas	Gool Arnas	8.5	6.5	2.5	20/10/2014
2	Kartar Singh	Gulabu	Kanthan	2 Kanal	G	Arnas	Gool Arnas	8.5	6.5	2.5	20/10/2014
3	Angrez	Faquir Chand	Kanthan	2 Kanal	G	Arnas	Gool Arnas	8.5	6.5	2.5	19/10/2014
4	Tej Ram	Gulab	Hander	2 Kanal	G	Arnas	Gool Arnas	8.5	6.5	2.5	24/10/2014
5	Puran Chand	Shiv Ram	Hander	2 Kanal	G	Arnas	Gool Arnas	8.5	6.5	2.5	17/10/2014
6	Jodra	Beli Ram	Kanthan	2 Kanal	G	Arnas	Gool Arnas	8.5	6.5	2.5	21/10/2014
7	Yonus	Gulabnabi	Judda	2 Kanal	S.T	Arnas	Gool Arnas	8.5	6.5	2.5	29/10/2014
8	Saddan	Gulabnabi	Dugga	2 Kanal	S.T	Arnas	Gool Arnas	8.5	6.5	2.5	27/10/2014
9	Yosuf	Gulam	Dugga	2 Kanal	S.T	Arnas	Gool Arnas	8.5	6.5	2.5	25/10/2014
10	Shabsuram	Biju ram	Danor	2 Kanal	S.C	Arnas	Gool Arnas	8.5	6.5	2.5	26/10/2014
11	Krishan	Ram Singh	Dugga	2 Kanal	G	Arnas	Gool Arnas	8.5	6.5	2.5	24/10/2014
12	Babu Ram	Sansar Chand	Kansi	2 Kanal	S.C	Arnas	Gool Arnas	8.5	6.5	2.5	21/10/2014
13	Kartar	Kirpal	Kansi	2 Kanal	S.C	Arnas	Gool Arnas	8.5	6.5	2.5	20/10/2014
14	Rakesh	Gopi	SujanDhar	2 Kanal	S.C	Arnas	Gool Arnas	8.5	6.5	2.5	19/10/2014
15	Vijay Singh	Kaka	Kanthan	2 Kanal	G	Arnas	Gool Arnas	8.5	6.5	2.5	17/10/2014
16	Puran Chand	Chitran	Hunder	2 Kanal	S.C	Arnas	Gool Arnas	8.5	6.5	2.5	18/10/2014
17	Jagdish	Beli Ram	Dugga	2 Kanal	S.C	Arnas	Gool Arnas	8.5	6.5	2.5	21/10/2014
18	Ab. Aziz	Yosuf	Dansal	2 Kanal	S.T	Arnas	Gool Arnas	8.5	6.5	2.5	24/10/2014
19	Rattan	Kimmat Singh	Dansal	2 Kanal	S.T	Arnas	Gool Arnas	8.5	6.5	2.5	25/10/2014
20	Bahdurah	Mohd. Din	Matlote	2 Kanal	G	Arnas	Gool Arnas	8.5	6.5	2.5	26/10/2014
21	Abdul. Gofoor	Gulam Nabi	Judda	2 Kanal	S.T	Arnas	Gool Arnas	8.5	6.5	2.5	27/10/2014
22	Krishan	Buri Singh	Dugga	2 Kanal	G	Arnas	Gool Arnas	8.5	6.5	2.5	24/10/2014
23	Prem Singh	Beli Ram	Kansi	2 Kanal	G	Arnas	Gool Arnas	8.5	6.5	2.5	21/10/2014
24	Som Raj	Makhan	Hunder	2 Kanal	G	Arnas	Gool Arnas	8.5	6.5	2.5	20/10/2014
25	Vijay Ram	Kallia	Kanthan	2 Kanal	G	Arnas	Gool Arnas	8.5	6.5	2.5	19/10/2014

**List of farmeres to whom Hybrid Vegetable Seed have been issued under TSP in respect of Sub  
Division Dharmari**

S.No	Name of Farmer	Parentage	R/o	Block	Constituency	Demonstration Hybrid vegetable seed	Date of Sowing
1	Noor Deen	Azim	Dharmari	Arnas	Gool Arnas	One Kit	3/2015
2	Bashir	Jamaldeen	Dharmari	Arnas	Gool Arnas	One Kit	4/2015
3	Rashid	LalDin	Dharmari	Arnas	Gool Arnas	One Kit	3/2015
4	Mirwaz	Kalu	Dharmari	Arnas	Gool Arnas	One Kit	3/2015
5	Aziz	Noor mohd	Dharmari	Arnas	Gool Arnas	One Kit	4/2015
6	Abgam	Mohden	Dharmari	Arnas	Gool Arnas	One Kit	3/2015
7	Ibrahim	Ismail	Dharmari	Arnas	Gool Arnas	One Kit	3/2015
8	Liyakat Ali	Noor Hussain	Dharmari	Arnas	Gool Arnas	One Kit	3/2015
9	Gulamah	Noora	Dharmari	Arnas	Gool Arnas	One Kit	4/2015
10	Bashir	Noora	Dharmari	Arnas	Gool Arnas	One Kit	3/2015
11	Sher din	Mawdeen	Dharmari	Arnas	Gool Arnas	One Kit	3/2015
12	Mohd Ashraf	Ismail	Dharmari	Arnas	Gool Arnas	One Kit	3/2015
13	Jan Mohd	Ali Mohd	Dharmari	Arnas	Gool Arnas	One Kit	4/2015
14	Ab Rashid	Noor Mohd	Dharmari	Arnas	Gool Arnas	One Kit	3/2015
15	Mohd shafi	Mir Baksh	Dharmari	Arnas	Gool Arnas	One Kit	3/2015
16	Talib	Mir	Dharmari	Arnas	Gool Arnas	One Kit	3/2015
17	Sher Mohd	Abdul Mir	Dharmari	Arnas	Gool Arnas	One Kit	4/2015
18	Ali Mohd	Mir Baksh	Dharmari	Arnas	Gool Arnas	One Kit	3/2015
19	Bashir Ahmed	Ismail	Dharmari	Arnas	Gool Arnas	One Kit	3/2015
20	Shabir	Ibrahim	Dharmari	Arnas	Gool Arnas	One Kit	4/2015
21	Moh Ashraf	Nizam Deen	Dharmari	Arnas	Gool Arnas	One Kit	3/2015
22	Saddan	Nazir	Dharmari	Arnas	Gool Arnas	One Kit	3/2015
23	Ab karim	Mir Baz	Dharmari	Arnas	Gool Arnas	One Kit	4/2015
24	Mishdeen	Mohd Yousaf	Dharmari	Arnas	Gool Arnas	One Kit	4/2015
25	Abdul karim	Hamara deen	Dharmari	Arnas	Gool Arnas	One Kit	3/2015
26	Khushi Mohd	Nizam Deen	Dharmari	Arnas	Gool Arnas	One Kit	3/2015
27	Abdulla	Haqib	Dharmari	Arnas	Gool Arnas	One Kit	3/2015
28	Kaka Hussain	Abdulla	Dharmari	Arnas	Gool Arnas	One Kit	4/2015
29	Ali mohd	Salandeen	Dharmari	Arnas	Gool Arnas	One Kit	3/2015
30	Gul hussain	Suba	Dharmari	Arnas	Gool Arnas	One Kit	3/2015
31	Munir	Alia	Dharmari	Arnas	Gool Arnas	One Kit	4/2015
32	Liakat Ali	Hazi Buland Khan	Dharmari	Arnas	Gool Arnas	One Kit	3/2015
33	Akbar Ali	Mohd.Khushi	Dharmari	Arnas	Gool Arnas	One Kit	4/2015
34	Mohd. Ayub	Mir	Dharmari	Arnas	Gool Arnas	One Kit	3/2015
35	Kaka Hussain	Abdulla	Dharmari	Arnas	Gool Arnas	One Kit	3/2015
36	Mohd hussain	Akka	Jamslan	Arnas	Gool Arnas	One Kit	3/2015
37	Ferzdea	Falta	Jamslan	Arnas	Gool Arnas	One Kit	3/2015
38	Liaykat Ali	Fatta Mohd.	Jamslan	Arnas	Gool Arnas	One Kit	3/2015
39	Nizar Hussain	Mohd hussain	Jamslan	Arnas	Gool Arnas	One Kit	4/2015
40	Mushtaq Ahmed.	LalDin	Jamslan	Arnas	Gool Arnas	One Kit	3/2015
41	Mishdeen	Salandeen	Jamslan	Arnas	Gool Arnas	One Kit	4/2015
42	Jalaldeen	SattraDeen	Jamslan	Arnas	Gool Arnas	One Kit	3/2015

S.No	Name of Farmer	Parentage	R/o	Block	Constituency	Demonstration Hybrid vegetable seed	Date of Sowing
43	MeerBaksh	Laldeen	Jamslan	Arnas	Gool Arnas	One Kit	4/2015
44	Rafiq	Sarjdeen	Jamslan	Arnas	Gool Arnas	One Kit	3/2015
45	Mohd. Yosuf	Meria	Jamslan	Arnas	Gool Arnas	One Kit	4/2015
46	Gulham Hussain	Fiaz Mohd	Jamslan	Arnas	Gool Arnas	One Kit	3/2015
47	Saki Mohd	Abdulla	Jamslan	Arnas	Gool Arnas	One Kit	3/2015
48	Nissar Hussain	Ilamdeen	Jamslan	Arnas	Gool Arnas	One Kit	3/2015
49	Mohd sharif	Ilamdeen	Jamslan	Arnas	Gool Arnas	One Kit	3/2015
50	Karim Baksh	Falta	Jamslan	Arnas	Gool Arnas	One Kit	3/2015
51	Nizamdeen	Ali Mohd	Khor	Arnas	Gool Arnas	One Kit	3/2015
52	Noor Hussain	Ilamdeen	Khor	Arnas	Gool Arnas	One Kit	3/2015
53	Sarjdeen	Sardarn	Khor	Arnas	Gool Arnas	One Kit	3/2015
54	Sher Mohd	Noor Mohd	Khor	Arnas	Gool Arnas	One Kit	3/2015
55	Mohd Quasim	Mir Hussain	Ladh	Arnas	Gool Arnas	One Kit	4/2015
56	Mohd Isaq	Akka	Ladh	Arnas	Gool Arnas	One Kit	4/2015
57	Noor Mohd	Mohd Hussain	Ladh	Arnas	Gool Arnas	One Kit	4/2015
58	Mohd Rafiq	Ali Mohd	Ladh	Arnas	Gool Arnas	One Kit	3/2015
59	Jamala	Rahim	Ladh	Arnas	Gool Arnas	One Kit	3/2015
60	Shafi	Noor Mohd	Ladh	Arnas	Gool Arnas	One Kit	3/2015
61	Liaquat Ali	RoshanDeen	Ladh	Arnas	Gool Arnas	One Kit	3/2015
62	Wani Mohd	Sadiq	Ladh	Arnas	Gool Arnas	One Kit	3/2015
63	Noordeen	Quadir	Ladh	Arnas	Gool Arnas	One Kit	4/2015
64	Muneer Hussain	Gulam Hussain	Ladh	Arnas	Gool Arnas	One Kit	4/2015
65	Manzoor	M	Ladh	Arnas	Gool Arnas	One Kit	4/2015
66	Galabu	Aladeen	Ladh	Arnas	Gool Arnas	One Kit	3/2015
67	Mohd Sherif	Gulam Mohd	Ladh	Arnas	Gool Arnas	One Kit	3/2015
68	Ab. Rashid	Shah Mohd	Chana	Arnas	Gool Arnas	One Kit	3/2015
69	Javed Iqbal	Mohd Farooq	Chana	Arnas	Gool Arnas	One Kit	3/2015
70	Nazir Ahmed	Faqardeen	Hasote	Arnas	Gool Arnas	One Kit	3/2015
71	Hakamdeen	Salah Mohd	Hasote	Arnas	Gool Arnas	One Kit	3/2015
72	Gul. Hussain	Mir	Gota	Arnas	Gool Arnas	One Kit	4/2015
73	Mohd Jameel	Bashir Ah.	Chassana	Arnas	Gool Arnas	One Kit	3/2015
74	Manzoor Ah.	Alideen	Gulabgarh	Arnas	Gool Arnas	One Kit	3/2015
75	Mohd Yosuf	Mir	Gota	Arnas	Gool Arnas	One Kit	3/2015
76	Kagh hussain	Sher Mohd	Chassana	Arnas	Gool Arnas	One Kit	3/2015
77	Gulam Hussain	Mir	Gota	Arnas	Gool Arnas	One Kit	3/2015
78	Manzoor hussain	Faqardeen	Gota	Arnas	Gool Arnas	One Kit	3/2015
79	Ab. Shad	Wasim	Hasote	Arnas	Gool Arnas	One Kit	4/2015
80	Noor Mohd	Mohd. Roshan	Hasote	Arnas	Gool Arnas	One Kit	3/2015
81	Muneer	Mohd. Hussain	Tuli	Arnas	Gool Arnas	One Kit	3/2015
82	Lal Hussain	Israil	Tuli	Arnas	Gool Arnas	One Kit	4/2015
83	Gulam Nabi	Mohd Shafi	Tuli	Arnas	Gool Arnas	One Kit	3/2015
84	Ab. Gani	Faqardeen	Hasote	Arnas	Gool Arnas	One Kit	3/2015
85	Bashir Ah.	Faqardeen	Hasote	Arnas	Gool Arnas	One Kit	4/2015

**List of Beneficiary benefitted under Rajmash Project During Kharif 2014 in Respect of Dharmari  
Sub-Division**

S.No.	Name of Farmers	Parentage	R/O	Area covered	Quantity of seed issued	Fertilizer issued on		Category
						DAP	MOP	
1	Nazir Ahmed	Qadir	Sarh	8 Kanal	2 kg	36 kg	12kg	ST
2	Mohd. Amir	Rasool	Sarh	8 Kanal	2 kg	36 kg	12kg	Gen.
3	Om kar singh	Shar Singh	Sarh	8 Kanal	2 kg	36 kg	12kg	Gen.
4	Mushaq Ahmed	Ahmed Qadir	Sarh	8 Kanal	2 kg	36 kg	12kg	Gen.
5	Abdul Rashid	Sabar	Sarh	8 Kanal	2 kg	36 kg	12kg	Gen.
6	Mohd. Shaffi	Sabar	Sarh	8 Kanal	2 kg	36 kg	12kg	Gen.
7	Gh. Mohd.	Habib	Sarh	8 Kanal	2 kg	36 kg	12kg	Gen.
8	Ahmed	Rasool	Sarh	8 Kanal	2 kg	36 kg	12kg	Gen.
9	Mohd. Shari	Ali	Sarh	8 Kanal	2 kg	36 kg	12kg	Gen.
10	Ali	Nabha	Sarh	8 Kanal	2 kg	36 kg	12kg	Gen.
11	Nazir Ahmed	Fatha Mohd	Mahore	8 Kanal	2 kg	36 kg	12kg	Gen.
12	Bashir Ahmed	Misher din	Mahore	8 Kanal	2 kg	36 kg	12kg	Gen.
13	Mohd. Rafiq	Kalim	Mahore	8 Kanal	2 kg	36 kg	12kg	Gen.
14	Shafi	Karim Bakshi	Mahore	8 Kanal	2 kg	36 kg	12kg	Gen.
15	Mustaq Ahmed	Hussain	Mahore	8 Kanal	2 kg	36 kg	12kg	Gen.
16	Gh. Mohd.	Ghulla	Mahore	8 Kanal	2 kg	36 kg	12kg	ST
17	Rosam din	Latif	Mahore	8 Kanal	2 kg	36 kg	12kg	ST
18	Mohd. Hussain	Shar Mohd.	Mahore	8 Kanal	2 kg	36 kg	12kg	ST
19	Haqum din	Fatham	Mahore	8 Kanal	2 kg	36 kg	12kg	ST
20	Bashir Ahmed	Azim	Mahore	8 Kanal	2 kg	36 kg	12kg	ST
21	Badhur ali	Amkala	Shakari	8 Kanal	2 kg	36 kg	12kg	Gen.
22	Kashmir Singh	Prit Singh	Shakari	8 Kanal	2 kg	36 kg	12kg	Gen.
23	Khalifa	Hazart	Shakari	8 Kanal	2 kg	36 kg	12kg	Gen.
24	Halid	Noor Hussain	Shakari	8 Kanal	2 kg	36 kg	12kg	Gen.
25	Jamal-u-Din	Isril	Shakari	8 Kanal	2 kg	36 kg	12kg	Gen.
26	Shakir Ahmed	Mehali	Shakari	8 Kanal	2 kg	36 kg	12kg	ST
27	Sharif	Qadir	Shakari	8 Kanal	2 kg	36 kg	12kg	ST
28	Mohd.	Manzoor	Shakari	8 Kanal	2 kg	36 kg	12kg	Gen.
29	Hussain	Suwa	Shakari	8 Kanal	2 kg	36 kg	12kg	Gen.
30	Qadir	Naizi Mohd	Shakari	8 Kanal	2 kg	36 kg	12kg	ST
31	Qadir	Umar Din	Shakari	8 Kanal	2 kg	36 kg	12kg	ST
32	Farook	Noor Mana	Shakari	8 Kanal	2 kg	36 kg	12kg	ST
33	Zakir Hussain	Mohd. Hussain	Shakari	8 Kanal	2 kg	36 kg	12kg	Gen.
34	Abdul Gafoor	Munshi	Shakari	8 Kanal	2 kg	36 kg	12kg	Gen.
35	Krishan Singh	Lakhoo Ram	Shakari	8 Kanal	2 kg	36 kg	12kg	Gen.
36	Gh. Nabi	Wali Mohd.	Neosi	8 Kanal	2 kg	36 kg	12kg	Gen.
37	Ab. Majid	Mohmdoo	Neosi	8 Kanal	2 kg	36 kg	12kg	Gen.
38	Shabir	Bashir	Neosi	8 Kanal	2 kg	36 kg	12kg	Gen.
39	Gani	Karim	Neosi	8 Kanal	2 kg	36 kg	12kg	Gen.
40	Shahid Ahmed	Afzal	Neosi	8 Kanal	2 kg	36 kg	12kg	Gen.
41	Munir Ahmed	Wali Mohd.	Neosi	8 Kanal	2 kg	36 kg	12kg	Gen.
42	Zakar Khan	Hajna	Neosi	8 Kanal	2 kg	36 kg	12kg	Gen.
43	Mohd. Rafiq	Karim	Neosi	8 Kanal	2 kg	36 kg	12kg	Gen.
44	Meenar Ahmed	Bashir	Neosi	8 Kanal	2 kg	36 kg	12kg	Gen.
45	Ismail	Fazir Din	Neosi	8 Kanal	2 kg	36 kg	12kg	ST
46	Mohd. Sharif	Nazir Din	Neosi	8 Kanal	2 kg	36 kg	12kg	ST
47	Ab.Latif	Maqbool	Neosi	8 Kanal	2 kg	36 kg	12kg	ST
48	Shar Mohd.	Gazi Khan	Neosi	8 Kanal	2 kg	36 kg	12kg	ST
49	Bashir Ahmed	Ali Mohd.	Neosi	8 Kanal	2 kg	36 kg	12kg	ST
50	Azab Ahmed	Latif	Dhamani	8 Kanal	2 kg	36 kg	12kg	ST
51	Bashir	Safoor	Dhamani	8 Kanal	2 kg	36 kg	12kg	ST



52	Shabir	Majaid	Dhamani	8 Kanal	2 kg	36 kg	12kg	ST
53	Nazir	Maqbool	Dhamani	8 Kanal	2 kg	36 kg	12kg	Gen.
54	Ali Mohd	Mehandia	Dhamani	8 Kanal	2 kg	36 kg	12kg	Gen.
55	Yousaf	Soofar	Dhamani	8 Kanal	2 kg	36 kg	12kg	Gen.
56	Vijay Ram	Gokal	Dhamani	8 Kanal	2 kg	36 kg	12kg	Gen.
57	Qamar Din	Aziz	Dhamani	8 Kanal	2 kg	36 kg	12kg	Gen.
58	Gafoor	Kamal din	Kotli	8 Kanal	2 kg	36 kg	12kg	Gen.
59	Meer Hussain	Chaudin	Kotli	8 Kanal	2 kg	36 kg	12kg	Gen.
60	Bahar Din	Mohd	Kotli	8 Kanal	2 kg	36 kg	12kg	Gen.
61	Ab. Gani	Mohd. Hussain	Kotli	8 Kanal	2 kg	36 kg	12kg	Gen.
62	Wali Mohd.	Mashni	Kotli	8 Kanal	2 kg	36 kg	12kg	Gen.
63	Saba Ram	Amit Ram	Kotli	8 Kanal	2 kg	36 kg	12kg	Gen.
64	Fareed	Shakar Din	Kotli	8 Kanal	2 kg	36 kg	12kg	Gen.
65	Zaber	Yousaf	Kotli	8 Kanal	2 kg	36 kg	12kg	ST
66	Beem Singh	Gain	Kotli	8 Kanal	2 kg	36 kg	12kg	ST
67	Chain Singh	Karam chand	Kotli	8 Kanal	2 kg	36 kg	12kg	Gen.
68	payar Singh	Jagat Ram	Kotli	8 Kanal	2 kg	36 kg	12kg	Gen.
69	Dhani Ram	Jagat Ram	Kotli	8 Kanal	2 kg	36 kg	12kg	Gen.
70	Hakim Chand	Jagat Ram	Kotli	8 Kanal	2 kg	36 kg	12kg	Gen.
71	Bahdur	Mehandia	Kotli	8 Kanal	2 kg	36 kg	12kg	Gen.
72	Abdul Gafoor	Aziz din	Maman kote	8 Kanal	2 kg	36 kg	12kg	Gen.
73	Shabir Ahmed	Mohd. Din	Maman kote	8 Kanal	2 kg	36 kg	12kg	Gen.
74	Abdul Gaffor	Kamar din	Maman kote	8 Kanal	2 kg	36 kg	12kg	Gen.
75	Roshan Din	Abdul Rahim	Maman kote	8 Kanal	2 kg	36 kg	12kg	Gen.
76	Abdul Rashid	Wali Mohd.	Maman kote	8 Kanal	2 kg	36 kg	12kg	Gen.
77	Salam din	Rasool	Maman kote	8 Kanal	2 kg	36 kg	12kg	Gen.
78	Noor Ahmed	Azim	Maman kote	8 Kanal	2 kg	36 kg	12kg	Gen.
79	Abdul Rahim	Wali Mohd.	Maman kote	8 Kanal	2 kg	36 kg	12kg	Gen.
80	Wali Mohd.	Jamal	Maman kote	8 Kanal	2 kg	36 kg	12kg	Gen.
81	Kadam Hussain	Shaib din	Maman kote	8 Kanal	2 kg	36 kg	12kg	Gen.
82	Mohd. Shaffi	Abdul Majil	Maman kote	8 Kanal	2 kg	36 kg	12kg	ST
83	Mustaq Ahmed	Yousaf	Maman kote	8 Kanal	2 kg	36 kg	12kg	ST
84	Mustaq Ahmed	Yousaf	Maman kote	8 Kanal	2 kg	36 kg	12kg	ST
85	Zakir Hussain	Yousaf	Maman kote	8 Kanal	2 kg	36 kg	12kg	Gen.
86	Aziz	Zikir	Maman kote	8 Kanal	2 kg	36 kg	12kg	Gen.
87	Mohd. Iqbal	Sharif	Maman kote	8 Kanal	2 kg	36 kg	12kg	Gen.
88	Ab. Rashid	Goga	Maman kote	8 Kanal	2 kg	36 kg	12kg	Gen.
89	Shabir Hussain	Fataha	Maman kote	8 Kanal	2 kg	36 kg	12kg	Gen.
90	Gh. jahem	Hakim Din	Maman kote	8 Kanal	2 kg	36 kg	12kg	Gen.
91	Mohd. Sadiq	Imam Ahmed	Tuli	8 Kanal	2 kg	36 kg	12kg	Gen.
92	Mohd. Kalloo	Maiya	Tuli	8 Kanal	2 kg	36 kg	12kg	Gen.
93	Hakim Din	Lala	Tuli	8 Kanal	2 kg	36 kg	12kg	Gen.
94	Mohd. Hussain	Jamal	Tuli	8 Kanal	2 kg	36 kg	12kg	Gen.
95	Zeer Ahmed	Alfa	Tuli	8 Kanal	2 kg	36 kg	12kg	Gen.
96	Gaffer	Bashir Ahmed	Tuli	8 Kanal	2 kg	36 kg	12kg	Gen.
97	Shabir Ahmed	Gh. Din	Tuli	8 Kanal	2 kg	36 kg	12kg	ST
98	Mohd. Noor	Fataha	Tuli	8 Kanal	2 kg	36 kg	12kg	ST
99	Mohd Zakir	Iqbal	Tuli	8 Kanal	2 kg	36 kg	12kg	ST
100	Gh. Mohd.	Jamal	Tuli	8 Kanal	2 kg	36 kg	12kg	ST
101	Rahim	Afjal	Tuli	8 Kanal	2 kg	36 kg	12kg	ST
102	Jummu	Kheer	Sher Gadi	8 Kanal	2 kg	36 kg	12kg	Gen.
103	Ab. Latif	Gh. din	Sher Gadi	8 Kanal	2 kg	36 kg	12kg	Gen.
104	Gulzar Ahmed	Alimah	Sher Gadi	8 Kanal	2 kg	36 kg	12kg	Gen.
105	Mohd. Shafi	Ahmed Ali	Sher Gadi	8 Kanal	2 kg	36 kg	12kg	Gen.
106	Abdul Gaffor	Gani	Sher Gadi	8 Kanal	2 kg	36 kg	12kg	Gen.
107	Jamal	Safor	Sher Gadi	8 Kanal	2 kg	36 kg	12kg	Gen.

108	Ferooz Din	Mohd Din	Sher Gadi	8 Kanal	2 kg	36 kg	12kg	Gen.
109	Mohd Youb	Rashid	Sher Gadi	8 Kanal	2 kg	36 kg	12kg	Gen.
110	Bashir Hussain	Yassin	Tuli	8 Kanal	2 kg	36 kg	12kg	Gen.
111	Iqbal Shah	Yassin	Tuli	8 Kanal	2 kg	36 kg	12kg	Gen.
112	Mohd. Qasim	Maqbool	Tuli	8 Kanal	2 kg	36 kg	12kg	Gen.
113	Gh. Mohd.	Bashir	Tuli	8 Kanal	2 kg	36 kg	12kg	Gen.
114	Bashir Ahmed	Wali	Tuli	8 Kanal	2 kg	36 kg	12kg	Gen.
115	Abdul Rashid	Kala	Tuli	8 Kanal	2 kg	36 kg	12kg	Gen.
116	Ab. Gaffor	Munshi	Tuli	8 Kanal	2 kg	36 kg	12kg	Gen.
117	Ab. Gani	Kala	Tuli	8 Kanal	2 kg	36 kg	12kg	Gen.
118	Bashir Ahmed	Ramzor	Tuli	8 Kanal	2 kg	36 kg	12kg	Gen.
119	Bashir Ahmed	Lasa	Tuli	8 Kanal	2 kg	36 kg	12kg	Gen.
120	Nazir Ahmed	Gh. Ahmed.	Bajan Kote	8 Kanal	2 kg	36 kg	12kg	Gen.
121	Salem din	Akbar	Bajan Kote	8 Kanal	2 kg	36 kg	12kg	Gen.
122	Sher Singh	Panjab Singh	Bajan Kote	8 Kanal	2 kg	36 kg	12kg	Gen.
123	Meerhaz	Sakia	Bajan Kote	8 Kanal	2 kg	36 kg	12kg	Gen.
124	Qukar Chand	Pram	Bajan Kote	8 Kanal	2 kg	36 kg	12kg	Gen.
125	Ravinder Singh	Balzit	Bajan Kote	8 Kanal	2 kg	36 kg	12kg	Gen.
126	Baldev	Nek Ram	Bajan Kote	8 Kanal	2 kg	36 kg	12kg	Gen.
127	Abulaha	Sakia	Bajan Kote	8 Kanal	2 kg	36 kg	12kg	Gen.
128	Baj Hussain	Sakia	Bajan Kote	8 Kanal	2 kg	36 kg	12kg	Gen.
129	Nek Ram	khair Singh	Bajan Kote	8 Kanal	2 kg	36 kg	12kg	Gen.
130	Mohd. Sadiq	Qasim	Banna	8 Kanal	2 kg	36 kg	12kg	Gen.
131	Peer Mohd.	Hassain	Banna	8 Kanal	2 kg	36 kg	12kg	Gen.
132	Faqeer Hussain	Iqbal	Banna	8 Kanal	2 kg	36 kg	12kg	Gen.
133	Wazir	Saina	Banna	8 Kanal	2 kg	36 kg	12kg	Gen.
134	Laqat Ali	Ali Bazar	Banna	8 Kanal	2 kg	36 kg	12kg	Gen.
135	Abdul Rashid	Hussain	Banna	8 Kanal	2 kg	36 kg	12kg	Gen.
136	Mohd Akram	Hussain	Banna	8 Kanal	2 kg	36 kg	12kg	Gen.
137	Gulzar	Isril	Banna	8 Kanal	2 kg	36 kg	12kg	Gen.
138	Wali	Shab-u Din	Banna	8 Kanal	2 kg	36 kg	12kg	Gen.
139	Sadiq Mohd	Akbar	Banna	8 Kanal	2 kg	36 kg	12kg	Gen.
140	Farooq	Hashmat	Budhan	8 Kanal	2 kg	36 kg	12kg	Gen.
141	Kala	Sardoo	Budhan	8 Kanal	2 kg	36 kg	12kg	Gen.
142	Khushi Mohd	Jumma	Budhan	8 Kanal	2 kg	36 kg	12kg	Gen.
143	Nazir Ahmed	Ghulam	Budhan	8 Kanal	2 kg	36 kg	12kg	Gen.
144	Altaf Hussain	Noor Din	Budhan	8 Kanal	2 kg	36 kg	12kg	Gen.

**List of beneficiaries to whom Vegetable Kits have been issued under TSP during year 2014-15 in respect of Sub Division, Reasi**

S.No	Name of the farmer with parentage	R/O
1	Akhter Ali S/o Yaqoob	Gajore
2	Mohd Sadiq S/O Mohd Din	Talwara
3	Ali Mohd S/O Feroz Din	Talwara
4	Abdul Rafiq S/O Mohd Ishaq	Gungus
5	Bag Hussian S/O Feroz Din	Geeta Nagar
6	Muzzamil Hussian S/O Shokat Ali	Gari
7	Muzzamil Hussian S/o Yaqoob	Gajore
8	Shabir Ahmed S/o Riaz	Gajore
9	Nazeer Hussian S/O Younas	Gajore
10	Nazir S/o Yaqoob	Gajore
11	Mohd Lateef S/o Chodhary Abdul	Chakal Wala
12	Hashmat Ali S/O Mohd Israil	Gari
13	Mohd Khalid S/o Molvi Illam Din	Puria
14	Niaz Ahmed S/o Mohd Khalid	Puria
15	Zunaid Ahmed S/o Abdul Hamid	Puria
16	Nashrat W/o Akarwali	Sai Lanjan
17	Sanajin W/O Sharief	Sai Lanjan
18	Shahib Begum W/o Farid	Sai Lanjan
19	Shakina W/o Lateef	Sai Lanjan
20	Zamila W/o Shakeel	Sai Lanjan
21	Sanaj W/o Manzoor	Sai Lanjan
22	Hashmit Bibi W/O Mohd Mushtaq	Sai Lanjan
23	Sadka W/O Razaq	Sai Lanjan
24	Sahib Din S/O Noor Hussian	Dharan
25	Latti W/o Mohd Shaffi	Dharan
26	Suba S/o	Sai Lanjan
27	Iqbal S/o Suba	Sai Lanjan
28	Manzoor Ahmed S/o Mohd Shaffi	Sai Lanjan
29	Rafi S/o Bashrat Ali	Sai Lanjan
30	Mohd Mussa S/O Atif Din	Sai Lanjan
31	Kaku S/O Alaf Din	Sai Lanjan
32	Mohd Sharief S/o Ibrahim	Sai Lanjan
33	Abdul Rashid S/O Alaf Din	Sai Lanjan
34	Abdul Gaffar S/o Mohd Shafi	Sai Lanjan
35	Bashir Ahmed S/O Alaf Din	Sai Lanjan
36	Haroon S/O Zameel	Gajore
37	Muzzamil Hussian S/o Nazim Din	Gajore
38	Bashir Ahmed S/O Challu	Gajore
39	Zarana Bibi W/O Zakir Hussian	Gajore
40	Zaffar S/o Munshi	Sai Lanjan
41	Arshad S/O Mafiq	Dharan
42	Mohd Rashid S/o Ibrahim	Nambal
43	Zunaid S/O Sullah	Bidda
44	Bashir Ahmed S/O Zumma	Gajore

45	Fiaz Ahmed S/O Nizam Din	Dhirthi
46	Hashim S/o Zaffar	Bidda
47	Mohd Muzzim S/O Shartu	Gajore
48	Gulzar S/O Mohd Shafi	Sai Lanjan
49	Manzoor Ahmed S/O Khuba	Sai Lanjan
50	Anwar S/O Nizam Din	Sai Lanjan
51	Zabeer S/O Abdul Rashid	Jij
52	Mohd Rafi S/O Munshi	Sai Lanjan
53	Zabbar Ali S/o Choudhary Mohd Sharief	Gajore
54	Abdul Latif S/o Mohd Mir	Gajore
55	Mohd Mubarak S/O Sher Mohd	Seela
56	Mohd Sadiq S/O Ghulam Mohd	Seela
57	Mohd Aslam S/o Gulab din	Seela
58	Kaku S/O Murad Ali	Seela
59	Mohd Hussian S/o Sukkar din	Panassa
60	Mohd Sharief S/O Mir Mohd	Panassa
61	Sakhi Mohd S/o Mohd sharief	Panassa
62	Bagh Ali S/o Mohd Sharief	bhutan
63	Din Mond S/O Ghulam Hussian	Bhutan
64	Mohd Aslam S/o Omar din	bhutan
65	Abdul Qasim S/O Din Mohd	Tanda
66	Mohd Shafi S/o Abdul ghani	Bandhar
67	Wazir Mohd S/O Sulieman	Panassa
68	Bashir Ahmed S/o Ghulam Qadir	Panassa
69	Bashir Ahmed S/o Abdullah	Harotekote
70	Mohd Shafi S/O Shina	Panassa
71	Ghulam Haider S/O Mohd Bashir	Panassa
72	Allah Rakha S/O Shaitan	Bhabber
73	Mohd Roof S/O Mohd Sharief	Mansoo
74	Shabir Ahmed S/o Abdul Karim	Mansoo
75	Mohd Aslam S/o Mohd Sharief	Banghal
76	Mohd Khalid S/O Ahmed Din	Bhangal
77	Nek Mohd S/O Mohd Hussian	Bhangal
78	Abbais Ahmed S/o Wazahat Ali	Pouni
79	Iqlaboo S/O Mohd khalid	Pouni
80	Mustaq Ahmed S/O Ahmed Khalid	Pouni
81	Altaf Hussian S/o Movli Ilam Din	Pouni
82	Fiaz Ahmed S/O Mohd Iqbal	Pouni
83	Barkat Ali S/O Mohd Khalid	pouni
84	Inqlab Ali S/o Mohd	pouni
85	Mohd Sharief S/o Bashir Ahmes	Gyala
86	Shavir Ahmed S/o Nazir Ahmed	Gajore
87	Shahin S/o Mohd Yaqoob	Gajore
88	Mohd Latief S/o Mohd Chandi	Gajore
89	Bashir Ahmed S/o Mir Ahmed	Bharakh
90	Ahmed Baksh S/O Karim Baksh	Gajore
91	Ilyas Ahmed S/O Mir Mohd	Gajore

92	Nazakat Ali S/o Bashir Ahmed	Bharakh
93	Mohd Salim S/O Mohd Bashir	Talwara
94	Mohd Nazir S/o Kalu	Talwara
95	Mohd Ashraf S/o Abdul Rehman	Talwara
96	Haroon S/o Jabeer	Gajore
97	Allah Rakha S/O Ibrahim	Ghayala
98	Bashr Ahmed s/o Ghulam Rasool	Ghayala
99	Nazir Ahmed s/o Allah Rakha	Ghayala
100	Abdul Rashid S/o Issa	Patta
101	Mohd Mashir S/o Bag Hussain	Upper Talwara
102	Rafiq Chowdhary S/o Mohd Din	Zero Morh
103	Ghulam Rasool S/o Mohd Din	Zero Morh
104	Noor Mohd S/o Ibrahim	Kheral
105	Mohd Sadiq S/o Noor Alam	Jerri
106	Mohd Rafiq S/o Feroz Din	Pandhal
107	Ghulam Nabi S/o Rahmatulah	Talwara
108	Mohd Rashid S/o Mohd Sharif	Jerri
109	Feroz Din S/o Ahmed Ali	Talwara
110	Mustaq S/o Ghulam Mohd	Bakal
111	Mian S/o Ghulam Mohd	Bakal
112	Ghulam Husaain S/o Mohd Yaqoob	Upper Talwara
113	Rabia Bibi S/o Tasdeeq Hussain	Upper Talwara
114	Bashir Mohd S/o Noor Mohd	Kans Brahmana
115	Mohd Arshad S/o Suleman	Patta

Sub Divisional Agriculture Officer  
Reasi

**List of beneficiaries to whom Motorizes chaff cutters have been issued under TSP during year  
2015-16**

S.No	Name of the farmer with parentage	R/O	Panchayat
1	Mohd Rafiq S/o Ghulam Ali	Kala	Suketar
2	Mohd Sharief S/o Hashim Din	Talwara	Talwara
3	Hasan Din S/o Rahim Baksh	Seela	Seela
4	Zaffar Iqbal S/O Mohd Din	Talwara	Talwara
5	Shamas Din S/O Chirag Din	Gran	Gran
6	Mohd Sadiq S/O Mohd Din	Kala	Suketar
7	Gafoor Ahmed S/O Ghulam Rasool	Gyala	Suketar
8	Mohd Din S/o Ghulam Ali	Mari	Mari
9	Aziz Ali S/O Qasim Din	Jerdi	Saloon
10	Noor Din S/O Ismail	Berigala	Ransoo
11	Talib Hussian S/O Mohd Shafi	Jhandi	Thakrakot
12	Wazir Mohd S/O Sulah Mohd	Panassa	Panassa
13	Feroz Ahmed S/O Khushi Mohd	Lehar	Pouni
14	Julfa Bibi W/O Mohd Aslam	Plapri	Ghari
15	Ghulam Hassan S/O Mohd Yaqoob	Talwara	U-Talwara
16	Mohd Rafiq S/o Abdul Karim	Lodra	Panassa

Sub Divisional Agriculture Officer  
Reasi

**List of beneficiaries of Block Demonstrations laid under NMOOP during the year 2014-15 in respect of Sub Division Reasi, District, Reasi**

S. No.	Name of beneficiaries with parentage	Residence	Category	Area	Date of sowing
1	Kewal krishan s/o Major Ram	Jerri	OBC	0.7	12/18/2014
2	Jagdish Raj s/o Shankar das	Jerri	Gen	0.4	12/18/2014
3	Dewan Chand s/o Mulakh Raj	Jerri		0.4	12/17/2014
4	Dev Raj s/o Shankar Das	Jerri	Gen	0.75	12/19/2014
5	Ram Saroop s/o Anirudh	Jerri	Gen	0.7	12/15/2014
6	Om Parkash s/o Balak ram	Jerri	Gen	0.7	12/13/2014
7	Ashok Kumar s/o Jagdish Raj	Jerri	Gen	0.3	12/12/2014
8	Madan Lal s/o Thakur Das	Jerri		0.2	12/17/2014
9	Subash Chander s/o Munshi Ram	Jerri		0.4	12/10/2014
10	Ved Kumar s/o Om Parkash	Jerri		0.2	12/10/2014
11	Ram Saroop s/o Shankar	Jerri	Gen	0.2	12/12/2014
12	Kewal Purohit s/o Bishamber	Jerri	Gen	0.4	12/17/2014
13	Ram Rattan s/o Shankar Das	Jerri	Gen	0.3	12/23/2014
14	Sanjay Kumar s/o Hem Raj	Jerri	Gen	0.2	12/12/2014
15	Madan Lal s/o Raghu Nath	Jerri		0.1	12/12/2014
16	Mukesh s/o Krishan Lal	Jerri		0.3	12/12/2014
17	Shambu Nath s/o Ganga Ram	Jerri		0.4	12/19/2014
18	Gopal Krishan s/o Ganga Ram	Jerri		0.6	12/18/2014
19	Gurdip Singh s/o Nanak Singh	Jerri	Gen	0.5	12/18/2014
20	Rajiv Singh s/o Daya Singh	Jerri	Gen	0.1	12/19/2014
21	Mohd Sadiq s/o Noor Hussain	Jerri	ST	0.5	12/15/2014
22	Raji s/o Gulu	Jerri	SC	0.4	12/15/2014
23	Ram Krishan s/o Massu	Jerri	Gen	0.6	12/19/2014
24	Rakesh Kumar s/o Parma Nand	Jerri	Gen	0.2	12/17/2014
25	Sain Das s/o Mohan Lal	Jerri		0.2	12/17/2014
26	Sukhvinder Singh s/o Amar Singh	Jerri	Gen	0.25	12/16/2014
	<b>Total</b>			<b>10 ha.</b>	

Sub Divisional Agriculture Officer  
Reasi

**Progress Report under NVIUC for the year 2014-15 in respect of Sub Division Reasi  
for the month of Jan, 2015**

S. No	Components	Target		Achievement	
		Phy	Fin.	Phy	Fin
1	Protected Cultivation				
a.	Tubular Green House	200 mt.	1.2175	200mt	expdt booked
			0		
b	Bamboo Green House	400 mt	1.036	400 mt	expdt booked
	Organic Farming		0		
a.	Vermicompost Units	2 Nos	0.6	2	expdt booked
			0		
3	Mobile/ Static Vending Cart	2	0.3	2	expdt booked
4	Motorized Vending Cart	1	0.5	1	expdt booked

Sub Divisional Agriculture Officer  
Reasi



**Component wise List of Beneficiaries under NVIUC in respect Sub Division Reasi, District Reasi for the year 2014-15**

<b>S. No.</b>	<b>Name of beneficiaries with parentage</b>	<b>Residence</b>	<b>Category</b>
<b>A.</b>	<b>Tubular Green House</b>		
1	Dewan Chand s/o Nanak Chand	Kanah	Gen
2	Som Raj s/o Ram Chand	Gran	Gen
3	Sohan Lal s/o Ram Lal	Kans Brahamana	Gen
4	Kamal Raj s/o Bodh Raj	Talwara	Gen
5	Jagdish Raj s/o Fungu Ram	Kans Brahamana	Gen
<b>B.</b>	<b>Bamboo Green House</b>		
1	Sulaeman s/o Abdul Rahim	Patta	ST
2	Munshi s/o Abdul Rahim	Patta	ST
3	Mangat Ram s/o Ram Lal	Upper Talwara	Gen
4	Abdul Gani s/o Rehmat Ullah	Talwara	ST
5	Mohd Nazir s/o Ismail	Talwara	ST
6	Mohd Aslam s/o Ghulam Ali	Talwara	ST
7	Kashmiri Lal s/o Dharam Chand	Mari, Pouni	Gen
8	Santosh Kumari w/o Sudesh Kumar	Sungal	Gen
9	Rajesh Kumar s/o Prithvi Chand	Kans Brahamana	Gen
10	Sobha Ram s/o Kanshu Ram	Patta	SC
<b>C.</b>	<b>Vermicompost Unit</b>		
1	Mohd Bashir s/o Noor Mohd	Kans Brahamana	ST
2	Rajesh Kumar s/o Prithivi Chand	Kans Brahamana	Gen
<b>D.</b>	<b>Mobile/Static Vending Cart</b>		
1	Pardeep Kumar s/o Om Dutt	Talwara	Gen
2	Subash Chander s/o Badri Nath	Patta	Gen
<b>E.</b>	<b>Mobile Vending Cart</b>		
1	Parkash Chand s/o Sansar Chand	Gran	SC

Sub Divisional Agriculture Officer  
Reasi

**List of Beneficiaries under RKVY in respect of Sub Division Reasi, District Reasi for the year 2014-15**

<b>S. No.</b>	<b>Name of beneficiaries with parentage</b>	<b>Residence</b>	<b>Category</b>
<b>A.</b>	<b>Project on Promotion of Farm Machinization</b>		
	<b>a. Promotion of eco - friendly farm machinery. Diesel/Power operated irrigation pumpsets upto 8 HP @ 50% max of Rs.10000/</b>		
1	Kamal Singh s/o Chuni Lal	Bhabbar	Gen
2	Budh Singh s/o Kala Singh	Bharakh	Gen
3	Giuan Chand s/o Sarnu	Aghar Jitto	Gen
4	Rattan Singh s/o Khem Chand	Aghar Jitto	SC
5	Om Parkash s/o Bindru	Bhabbar	Gen
6	Ranjit Singh s/o Balwan Singh	Bhangal	OBC
7	Varinder Kumar s/o Isher Das	Maled	Gen
8	Rama Nand s/o Nain Sukh	Graan	Gen
9	Jawahar s/o Om Dutt	Zero More	Gen
10	Om Dutt s/o Dhani Ram	Zero More	Gen
<b>B.</b>	<b>Project on Mushroom Cultivation</b>		
	<b>a. New Mushroom Unit</b>		
1	Prabh Dayal s/o Moti Ram	Graan	SC
2	Balwinder Sharma s/o Sham Lal	Kans Brahamana	Gen
	<b>b. Strengthening of old mushroom unit</b>		
1	Shiv Kumar s/o Isher Das	Bhabbar	Gen

Sub Divisional Agriculture Officer  
Reasi

**List of Demonstrations Of Wheat under Agriculture and allied Sector (ATMA) a Sub Mission on Agriculture Extension (SAME) laid during the year 2014-15**

S. No.	Name with Parentage	Residence	Category	Area	Qty of Seed	Urea	DAP	MOP	Date of sowing
1	Roshan Din s/o Ilam Din	Bharakh	ST	1 acre	40kgs	40	26	14	11/22/2014
2	Manmohan Singh s/o Jagat Singh	Kothian	Gen	1 acre	40kgs	40	26	14	11/28/2014
3	Hem Raj s/o Dhani Ram	Jerri	Gen	1 acre	40kgs	40	26	14	11/15/2014
4	Jiwan Lal s/o Mulakh Raj	Zero More	Gen	1 acre	40kgs	40	26	14	11/14/2014
5	Krishan Lal s/o Badri Nath	Patta	Gen	1 acre	40kgs	40	26	14	11/10/2014
6	Subash Chander s/o Badri Nath	Patta	Gen	1 acre	40kgs	40	26	14	11/18/2014
7	Ghulam Rasool s/o Noor Mohd	Patta	ST	1 acre	40kgs	40	26	14	11/21/2014
8	Sita Ram s/o Dharam Chand	Sudheen	Gen	1 acre	40kgs	40	26	14	11/25/2014
9	Inder Parkash s/o Dhani Ram	Sudheen	Gen	1 acre	40kgs	40	26	14	11/28/2014
10	Krishan Lal s/o Dharam Chand	Laiter	Gen	1 acre	40kgs	40	26	14	11/25/2014
11	Poli Ram s/o Lachhan	Mari	Gen	1 acre	40kgs	40	26	14	11/26/2014
12	Suram Chand s/o Mansukh	Garan	SC	1 acre	40kgs	40	26	14	11/24/2014
13	Shambu Nath s/o Indru	Gran	SC	1 acre	40kgs	40	26	14	11/26/2014
14	Brij Mohan s/o Manka Maheshwar	Seela	Gen	1 acre	40kgs	40	26	14	11/23/2014
15	Kamlesh Kumar s/o Iqbal Misri	Seela	Gen	1 acre	40kgs	40	26	14	11/26/2014
16	Gulsher s/o Karim Bakash	Chak Bhagta	ST	1 acre	40kgs	40	26	14	12/24/2014
17	Dewan Chand s/o Jagat Ram	Sool	Gen	1 acre	40kgs	40	26	14	12/5/2014
18	Tilak Raj s/o Mansa Ram	Sirah	Gen	1 acre	40kgs	40	26	14	11/29/2014
19	Kartar Singh s/o Laxman	Panthal	Gen	1 acre	40kgs	40	26	14	11/26/2014
20	Shankar Singh s/o Dina Nath	Kun Kanyala	Gen	1 acre	40kgs	40	26	14	11/25/2014
21	Gobind Ram s/o Sansar Chand	Dhanori	Gen	1 acre	40kgs	40	26	14	12/6/2014
22	Jia Lal s/o Kirpa Ram	Pamote	Gen	1 acre	40kgs	40	26	14	11/19/2014
23	Des Raj s/o Massu	Bhaga	SC	1 acre	40kgs	40	26	14	11/14/2014
24	Bawa Ditta s/o Sarnu	Karwa	Gen	1 acre	40kgs	40	26	14	11/24/2014
25	Bishan Das s/o Tarlok Chand	Kundra	OBC	1 acre	40kgs	40	26	14	11/25/2014
26	Baldev Raj s/o Sansar Chand	Kundra	Gen	1 acre	40kgs	40	26	14	12/8/2014
27	Ashok Singh s/o Mansa Ram	Parthal	Gen	1 acre	40kgs	40	26	14	11/29/2014
28	Gopal Chand s/o Gian Chand	Bhangal	Gen	1 acre	40kgs	40	26	14	11/28/2014
29	Kamal Singh s/o Sansar Singh	Sirla	Gen	1 acre	40kgs	40	26	14	11/22/2014
30	Krishan Lal s/o Chuni Lal	Saroon	Gen	1 acre	40kgs	40	26	14	11/19/2014
31	Munshi Ram s/o Bachitter Singh	Butan	Gen	1 acre	40kgs	40	26	14	11/23/2014
32	Abdul Gaffoor s/o Attah Mohd	Mari	ST	1 acre	40kgs	40	26	14	11/25/2014
33	Shamsher Singh s/o Diley Ram	Panasa	Gen	1 acre	40kgs	40	26	14	11/25/2014
34	Mohd Shafi s/o Mohd Ismail	Thakrakot	ST	1 acre	40kgs	40	26	14	11/29/2014
35	Mohd Sultan s/o Abdullah	Bandhar	Gen	1 acre	40kgs	40	26	14	11/26/2014
36	Karan Singh s/o Krishan Singh	Panasa	Gen	1 acre	40kgs	40	26	14	11/24/2014
37	Omkar Singh s/o Suram Singh	Jij	Gen	1 acre	40kgs	40	26	14	11/26/2014
38	Mohd Rafiq s/o Ghulam Nabi	Jij	ST	1 acre	40kgs	40	26	14	11/22/2014
39	Mohd Qasim s/o Ghulam Hussain	Jij	ST	1 acre	40kgs	40	26	14	11/23/2014
40	Gandharabh Singh s/o Kamal Singh	Thub	Gen	1 acre	40kgs	40	26	14	11/25/2014

Sub Divisional Agriculture Officer  
Reasi



**List of Demonstrations in Agriculture Sector (Vegetable Peas) under Centrally Sponsored Scheme (ATMA) laid during the year 2014-15**

S. No	Name of beneficiaries with Parentage	Residence	Category	Area (ha)	Inputs Supplied		Date of Sowing
					DAP	MOP	
1	Dev Raj s/o Dhani Ram	Sudheen	Gen	0.2	24	16	10/25/2014
2	Yash Pal s/o Amar nath	Sudheen	Gen	0.1	12	8	10/28/2014
3	Tirath ram s/o Anant ram	Kanah	Gen	0.1	12	8	10/27/2014
4	Jugal Kesar S/o Ganga Dhar	Pouni	Gen	0.1	12	8	10/28/2014
5	Sudesh Kumar s/o Isher Das	Pouni	OBC	0.1	12	8	10/30/2014
6	Ishpak Mohd s/o Nisar	Pouni	ST	0.1	12	8	10/30/2014
7	Chuni Lal s/o Galodu Ram	Beulian	Gen	0.1	12	8	10/30/2014
8	Deep Raj s/o Prem Nath	Nar	Gen	0.1	12	8	10/30/2014
9	Om Parkash s/o Shiv Ram	Kund Khanyari	Gen	0.1	12	8	10/30/2014
10	Raj Kumar s/o Isher Das	Kharha	Gen	0.1	12	8	10/31/2014
11	Ramesh Kumar s/o Rattan Singh	Jardi	Gen	0.1	12	8	11/1/2014
12	Gulzar Ahmed s/o Noor Mohd	Tanda	ST	0.2	24	16	11/18/2014
13	Tara Chand s/o Chuni Lal	Bhaga	SC	0.2	24	16	11/25/2014
14	Dhanatter Singh s/o Amru	Dadura	OBC	0.2	24	16	11/29/2014
15	Bab Din s/o Allah Rakha	Graan	ST	0.2	24	16	11/10/2014
16	Sat Dev s/o Bindraban	Kotli Bajalan	Gen	0.2	24	16	11/12/2014
17	Sohan Chand s/o Krishan Chand	Hansali	Gen	0.2	24	16	10/25/2014
18	Chhatter Singh s/o Suram Singh	Jij	Gen	0.2	24	16	11/12/2014
19	Abdul Majid s/o Mohd Ismail	Beota	ST	0.2	24	16	11/14/2014
20	Bashir Ahmed s/o Gh. Qadir	Panasa	ST	0.2	24	16	11/13/2014
21	Farooq Ahmed s/o Mohd Din	Dhelote	ST	0.2	24	16	11/17/2014
22	Ab Sattar s/o Bashir Ahmed	Lorcha	ST	0.2	24	16	11/14/2014
23	Jameel Ahmed s/o Mohd Israil	Narkot	ST	0.2	24	16	11/16/2014
24	Ram Saran s/o Dhani Ram	Harotkote	Gen	0.2	24	16	11/9/2014
25	Ram Singh s/o Lal Singh	Sujandhar	Gen	0.2	24	16	11/11/2014
				4			

Sub Divisional Agriculture Officer  
Reasi

**List of Beneficiaries under MIDH in respect of Sub Division Reasi,  
District Reasi for the year 2014-15**

S. No.	Name of beneficiaries with parentage	Residence	Category
<b>A</b>	<b>Vermicompost Units ( 50% cost of size 30'x8'x2.5'</b>		
1	Dev Raj s/o Shankar Das	Jerri	Gen
2	Jagdish Raj s/o Shankar Das	Jerri	Gen
3	Kewal s/o Major Ram	Jerri	OBC
4	Madan Lal s/o Prem Nath	Gran	SC
5	Rakesh Kumar s/o Gullu	Kans Brahamana	Gen
6	Chanda s/o Mani Ram	Gran	SC
7	Girdhari Lal s/o Ram Chand	Gran	Gen
8	Gul Mohd s/o Karam Allahi	Zad	ST
9	Charan Das s/o Phula Ram	Vijaypur	SC
10	Skadh Mohd s/o Sahi Mohd	Zad	ST
11	Kaku Ram s/o Kirpa Ram	Aghar Ballian	Gen
12	Sanjay Kumar s/o Hem Raj	Jerri	Gen
13	Mangu Ram s/o Shankar Das	Gran	SC
<b>B</b>	<b>Water Harvesting Structure for storage of water 20x20x3mt. Pond 50% cost limited to Rs. 90000/-</b>		
1	Ravi Sharma s/o Dev Raj	Jerri	Gen

Sub Divisional Agriculture officer,  
Reasi

**List of Demonstrations of Pulse under under Centrally Sponsored Scheme( NFSM) laid during the year 2014-15**

S. No	Name of beneficiaries with Parentage	Residence	Category	Area (ha)	Inputs Supplied ( DAP)	Date of Sowing
<b>1</b>	<b>Cluster Demonstration</b>					
<b>A</b>	<b>Lentil K-75</b>					
1	Kewal Krishan s/o Major Ram	Jerri	OBC	0.4	35.20kgs	11/7/2014
2	Sukhvinder s/o Amar Singh	Jerri	Gen	0.2	17.6kgs	11/7/2014
3	Suram Chand s/o Bansi Ram	Jerri	Gen	0.4	35.2 kgs	11/8/2014
4	Raji s/o Gulu	Jerri	Sc	0.4	35.2kgs	11/8/2014
5	Krishan Lal s/o Tara Chand	Jerri	Gen	0.2	17.6kgs	11/8/2014
6	Mohd. Sidiq s/o Noor Hussain	Jerri	ST	0.4	35.2kgs	11/8/2014
	<b>Total</b>			<b>2</b>		
<b>B</b>	<b>Gram C-235</b>					
1	Jiwan Lal s/o Mulakh Raj	Talwara	Gen	0.6	35.2kgs	10/20/2014
2	Mangat Ram s/o Prem Nath	Talwara	Gen	0.4	35.2kgs	10/21/2014
3	Subash s/o Dhani Ram	Talwara	Gen	0.4	35.2kgs	10/19/2014
4	Sat Pal s/o Chuni Lal	Talwara	Gen	0.3	17.6kgs	10/22/2014
5	Pardeep Kumar s/o Om Parkash	Talwara	Gen	0.3	17.6kgs	10/19/2014
	<b>Total</b>			<b>2</b>		
<b>C</b>	<b>Peas Rachna</b>					
1	Kaku Ram s/o Kirpa Ram	Aghar Ballian	Gen	1	44kgs	11/2/2014
2	Ram Das s/o Sunder Das	Aghar Ballian	Gen	0.5	22kgs	11/2/2014
3	Khem raj s/o Paras Ram	Aghar Ballian	Gen	0.5	22kgs	11/2/2014
	<b>Total</b>			<b>2</b>		
	<b>G. Total</b>			<b>6ha.</b>		
	<b>Efficient Water application</b>					
<b>2</b>	<b>Tool ( Irrigation Pumpset)</b>					
a	Sham Lal s/o Jagdish Raj	Gran	Gen			
b	Mohan Lal s/o Mulakh Raj	Talwara	Gen			
c	Sanjay Kumar s/o Baldev raj	Bakkal	Gen			
d	rakesh Kumar s/o Gullu	Kans Brahamana	Gen			
e	Pardeep Kumar s/o Om Dutt	Talwara	Gen			
<b>3</b>	<b>Diesel Plough</b>					
a	Jeewan Lal s/o Mulakh raj	Talwara	Gen			
b	Sansar Chand s/o Hira	Gran	Gen			
c	Bansi Lal s/o Mir Chand	Aghar Ballian	Gen			
d	Suram Chand s/o Sheru	Parthal	Gen			
<b>4</b>	<b>Cropping System based Training</b>					
a	Cropping System based Training	Jeri				
b	Cropping System based Training	Talwara				